

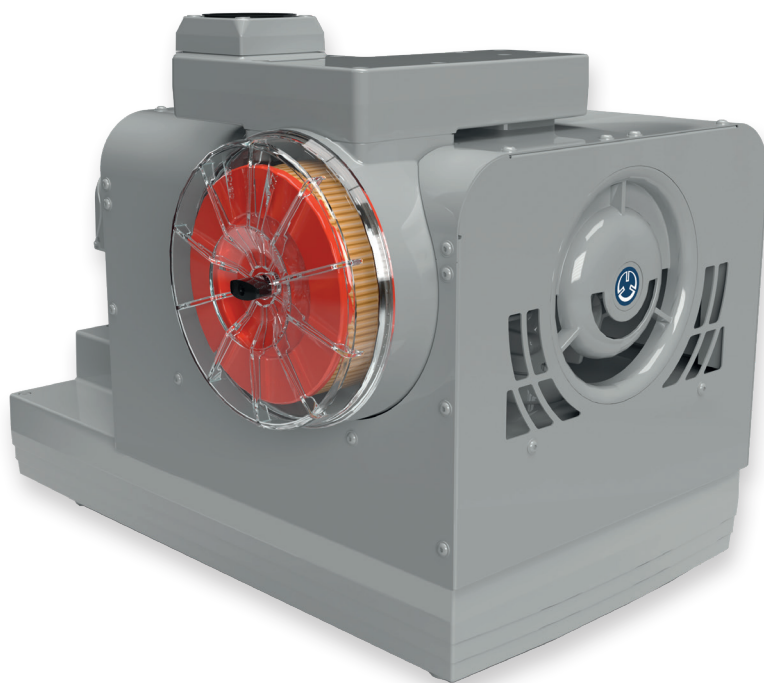
DATA SHEET

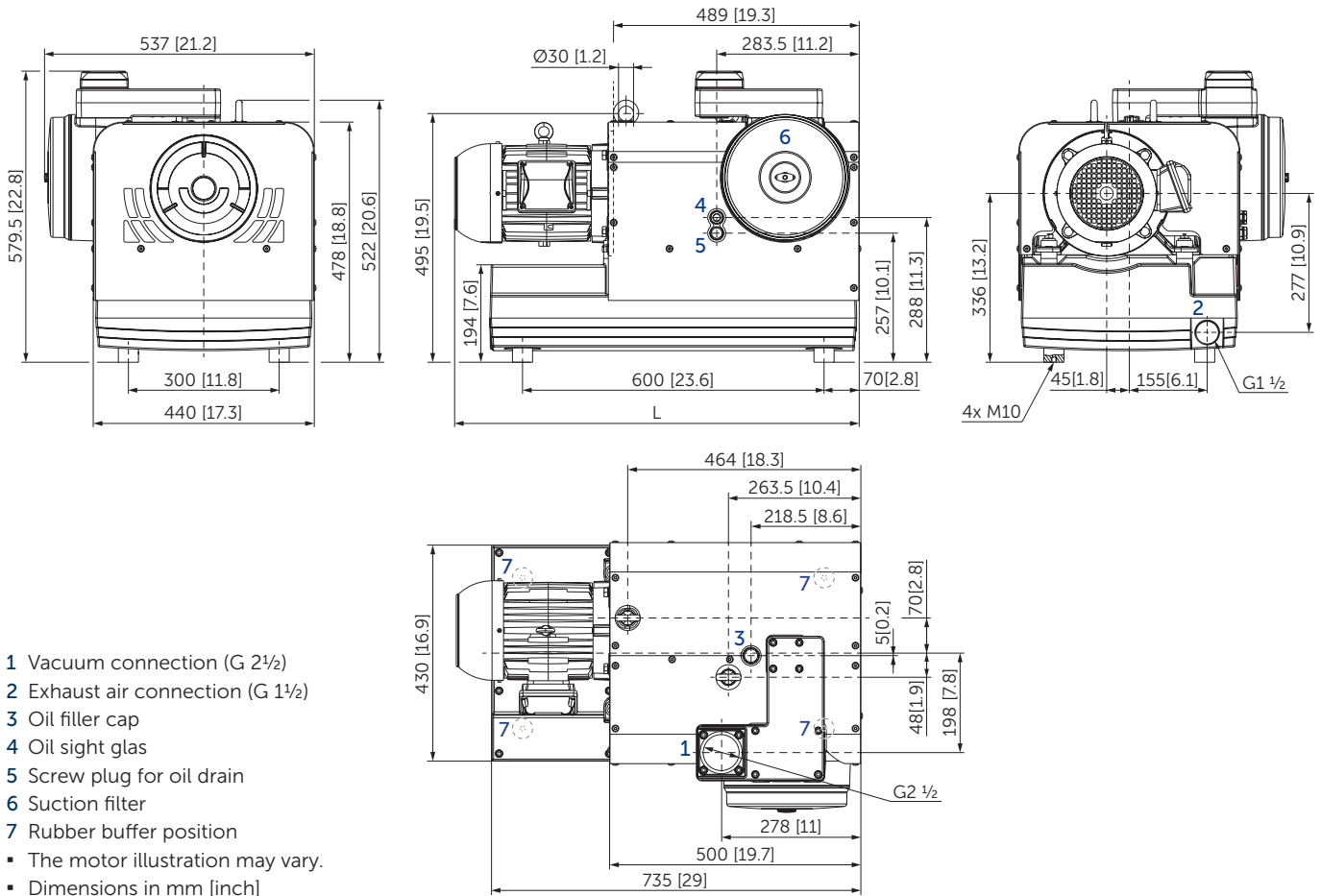
BCV 150

CLAW VACUUM PUMPS

dry and contact free compression
air-cooled

MAKE IT BECKER.



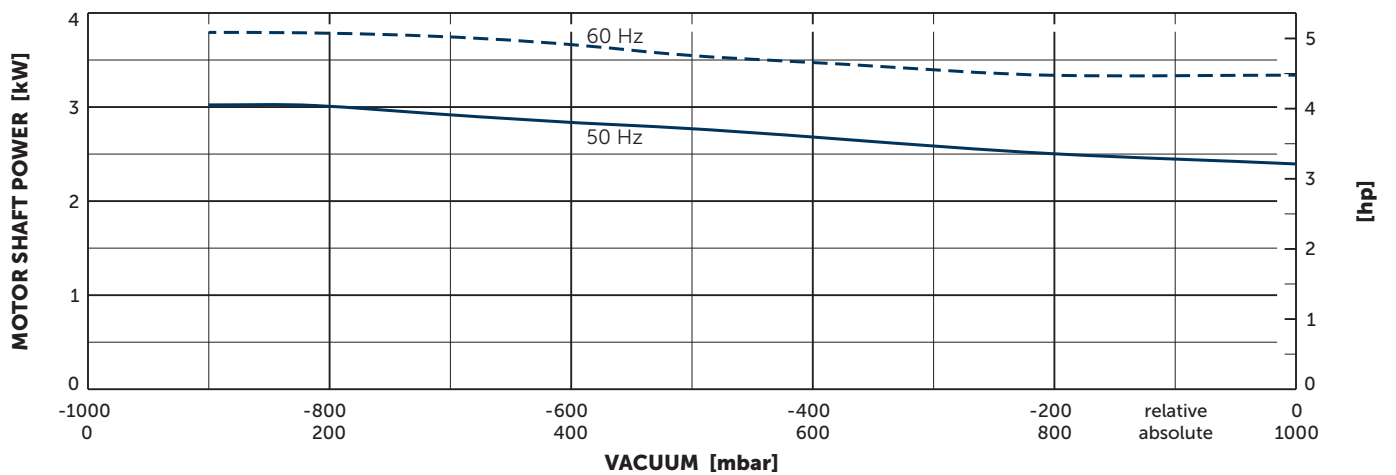
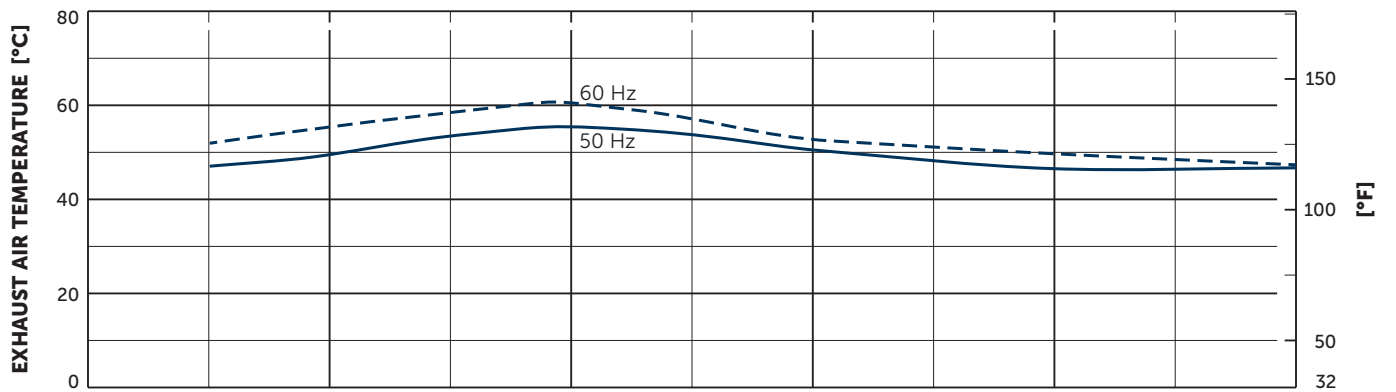
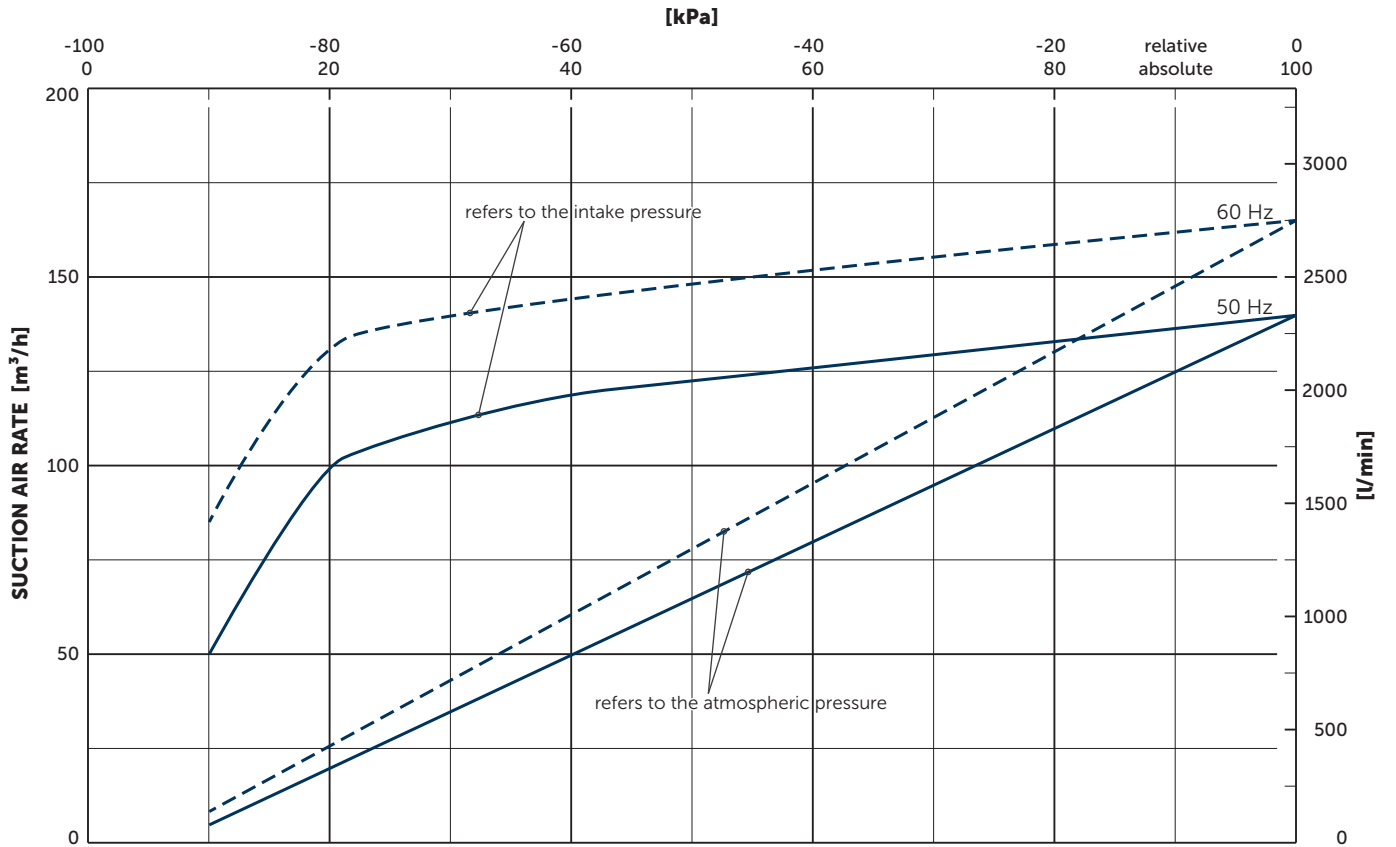


Nominal capacity		Vacuum absolute		Emission sound pressure level ¹⁾		Weight without motor
m ³ /h		mbar		dB(A)		kg
50 Hz	60 Hz	50 Hz	60 Hz	50 Hz	60 Hz	
150	180	100	100	67 (@ 600 mbar)	71 (@ 600 mbar)	156

¹⁾ According to DIN EN ISO 11203, accuracy class of measurement: class 2, extended measurement uncertainty: 3 dB 1 m [39.4 inch] distance, at medium load, without integrated filtration, both connection sides piped

3~ Motors											L		
#	50 Hz				60 Hz				Version	Weight kg	mm [inch]		
	kW	V	IE	min ⁻¹	A	kW	V	IE				min ⁻¹	A
01		Δ220/Y380	IE3	2900	10.3/5.95						UL • CSA • CC IP55 • ISO F • PTC	34	805 [31.7]
	3.0	Δ230/Y400	IE3	2910	10.0/5.77	3.0	Y460	IE3	3520	5.01			
		Δ240/Y415	IE3	2915	9.82/5.68								
						3.6	Δ230/Y400	IE1	3453	11.6/6.69			
						Δ265/Y460	IE2	3505	10.2/5.87				
02	4.0	Δ230/Y400	IE3	2910	13.2/7.59	4.0	YY230/Y460	IE3	3520	13.5/6.75	UL • CSA • CC IP55 • ISO F • PTC	45	823 [32.4]
						4.0	YY208		3500	14.6			
03	4.0	Δ290/Y500	IE3	2910	10.5/6.08	4.0	Δ332/Y575	IE3	3525	9.47/5.47	UL • CSA • CC IP55 • ISO F • PTC	44	823 [32.4]
04							Δ200/Y346	IE3	3500	13.2/7.63	UL • CSA • CC IP55 • ISO F • PTC	38	847 [33.4]
	3.0	Δ200/Y346	IE3	2935	12.3/7.1	3.6	Δ220/Y380	IE3	3520	12.4/7.19			
							Y400	IE3	3525	6.99			

• Type plate data on current consumption and rotation speed of the motors may vary. Tolerance -1.5/+2% in each case.



Reference data (atmosphere): 1000 mbar (100 kPa), 20°C (68°F)
 Tolerance: ±10%

VARIANTS

- **BCV 150 PRO** with corrosion protection
- **VARIAIR BCV 150** with frequency inverter¹⁾

VARIAIR
UNIT



VARIAIR BCV 150

¹⁾ See separate data sheet



MAKE IT BECKER.