

DATA SHEET

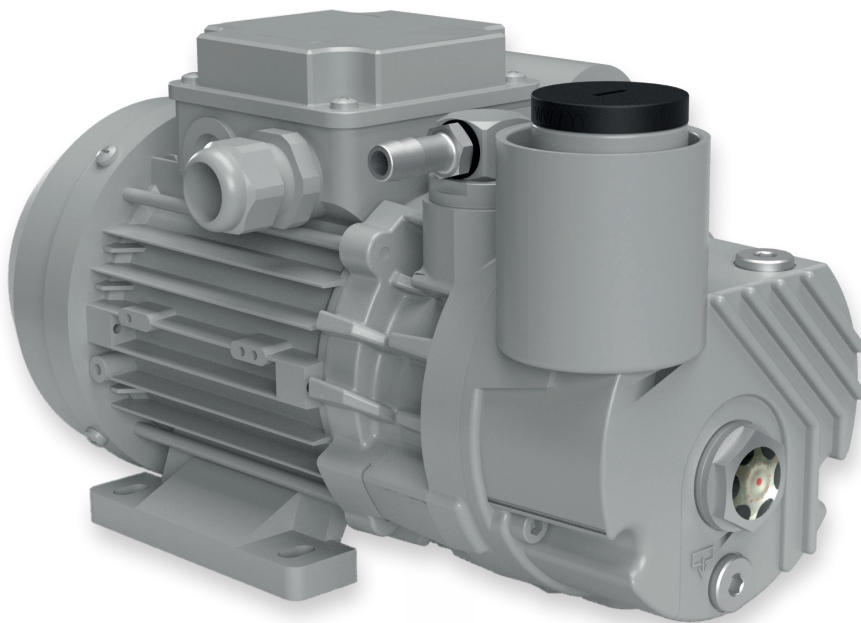
0 6.4

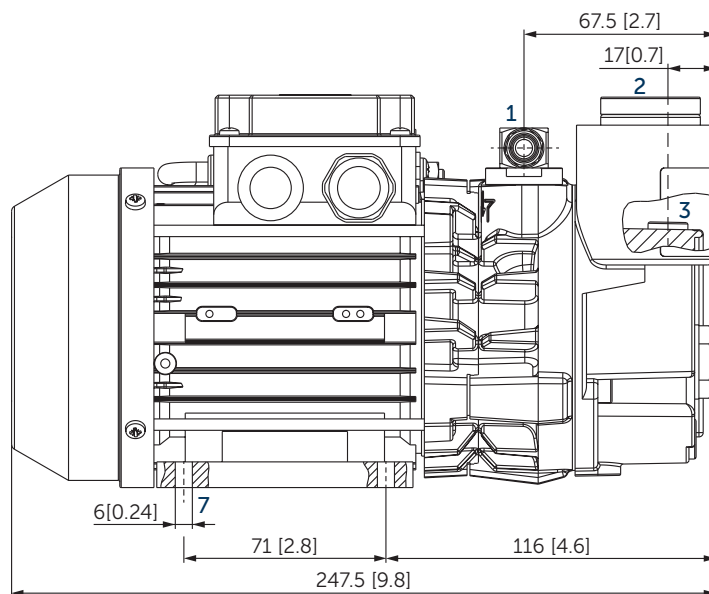
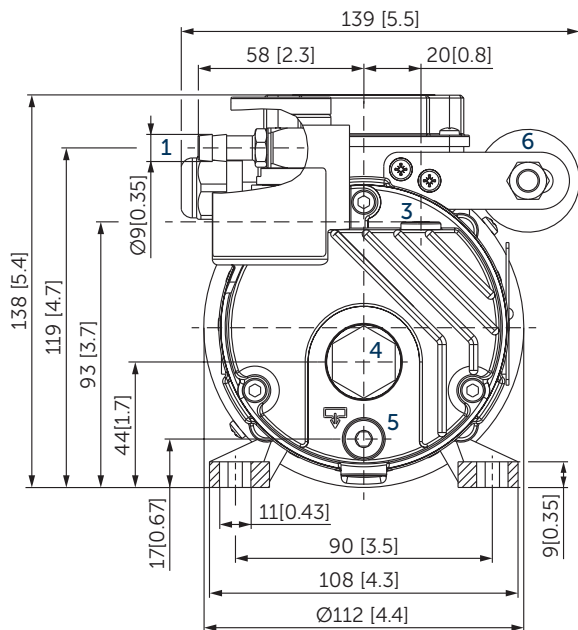
ROTARY VANE VACUUM PUMPS

oil-lubricated

air-cooled

MAKE IT BECKER.





1 Vacuum connection Ø9 mm [0.35 inch] (G $\frac{1}{8}$)

2 Exhaust air

3 Oil filler cap

4 Oil sight glass

5 Screw plug for oil drain

6 Capacitor

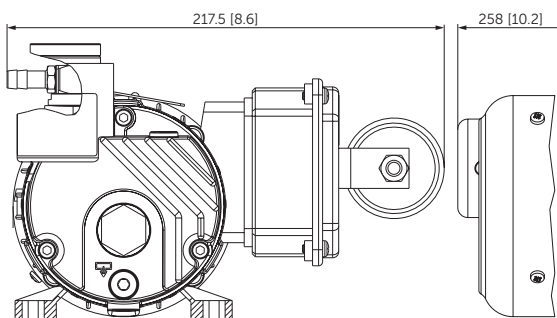
7 Recommendation: Use M5 screws for fixing.

- Non-return valve and oil separator are integrated

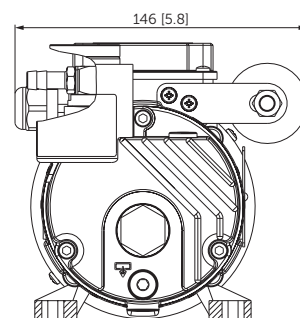
- The motor illustration may vary

- Dimensions in mm [inch]

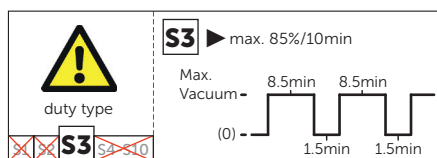
M 50 Hz: –
#02 60 Hz: 110–115 V



M 50 Hz: 100–115 V
#03 60 Hz: 100–115 V



The **operating mode S3** (with periodic intermittent operation) must be maintained according to the following interval!

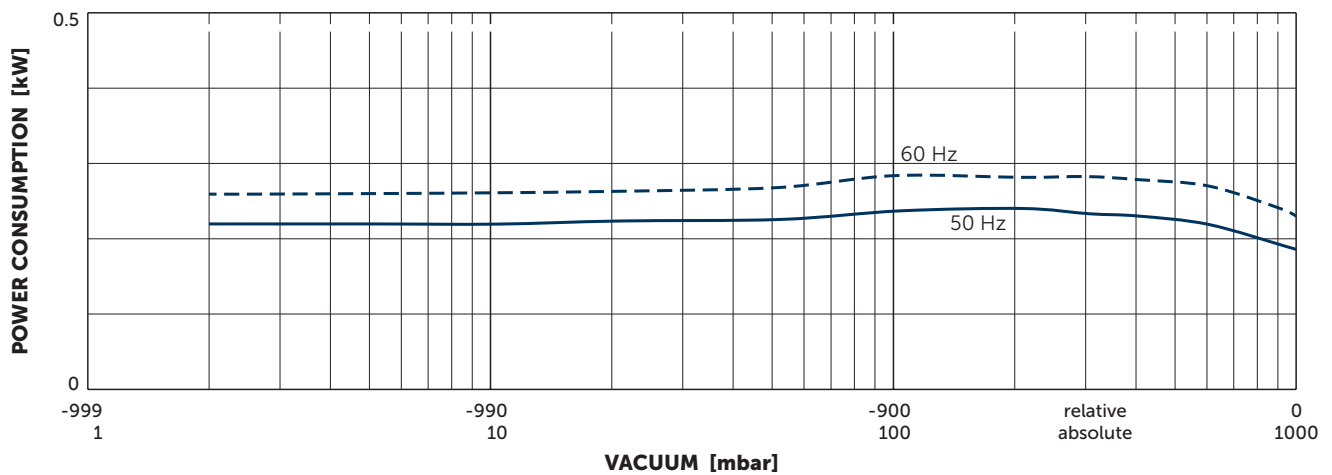
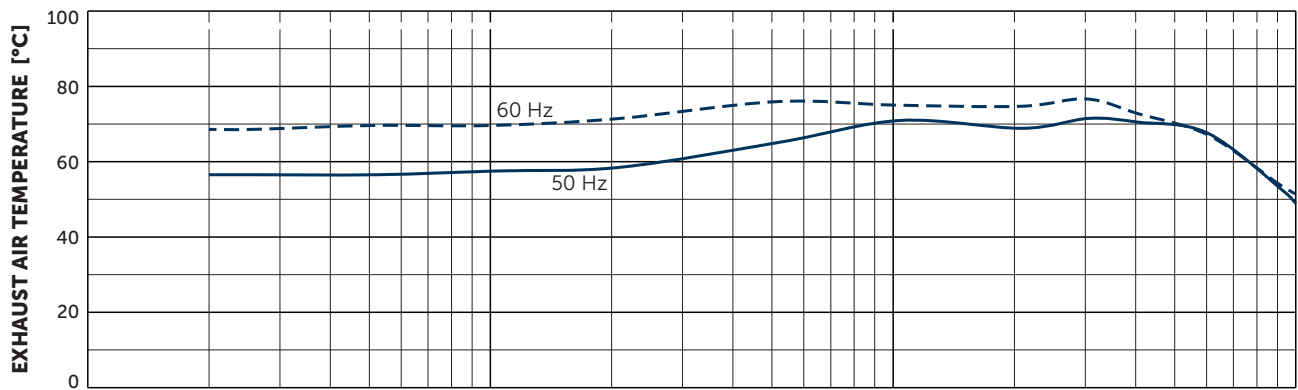
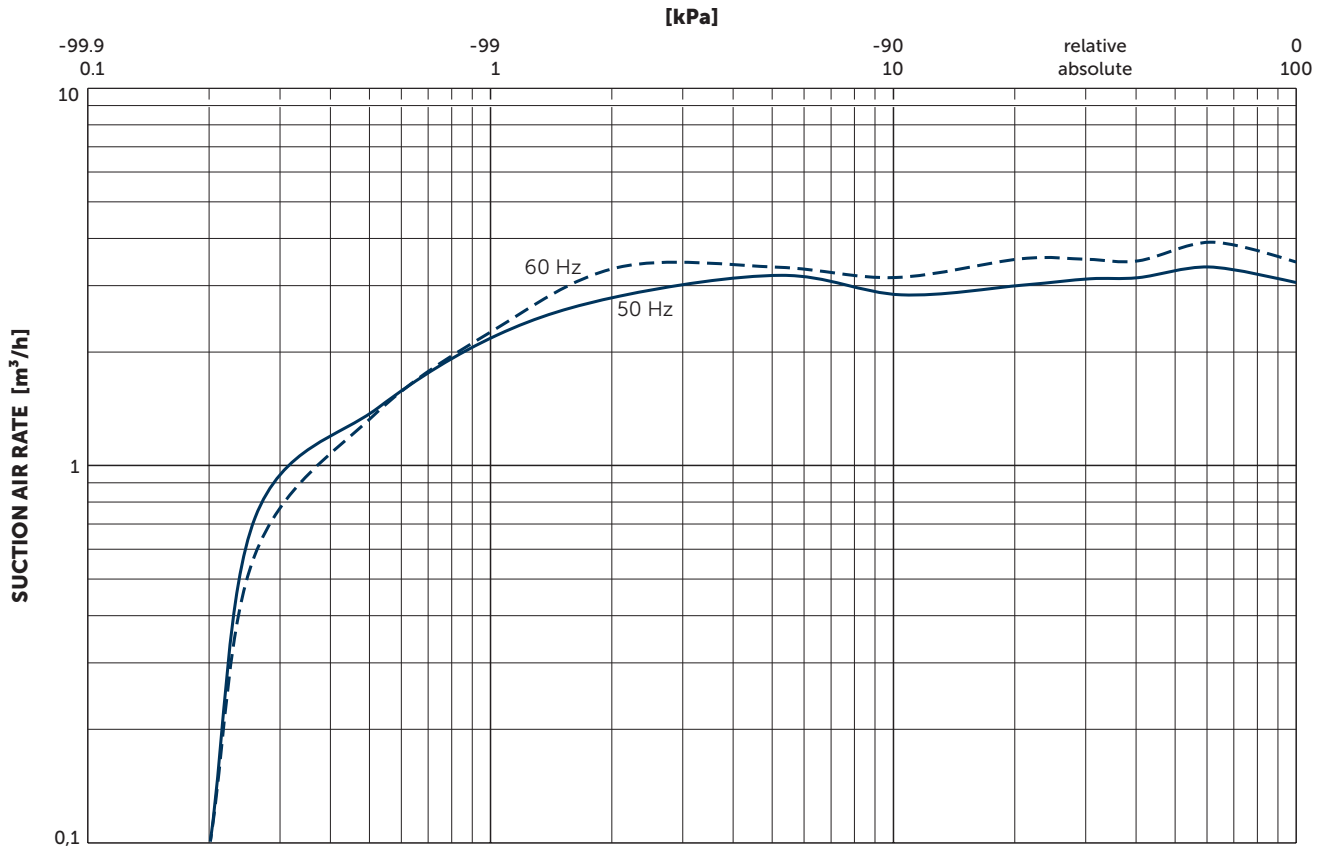


Nominal capacity		Vacuum absolute		Emission sound pressure level		Weight incl. motor	Oil Becker Lube ¹⁾
m ³ /h		mbar		dB(A), DIN EN ISO 2151, K 3db		kg	l
50 Hz	60 Hz	50 Hz	60 Hz	50 Hz	60 Hz		
4.0	4.8	≤2	≤2	48	52	≈5.4	0.065

1~ Motors									
#	50 Hz				60 Hz				Version
	kW	V	min ⁻¹	A	kW	V	min ⁻¹	A	
01	0.12	220–240	2840	1.1–1.2	0.15	220–240	3380	1.2–1.1	IP 55 • ISO F • bimetal capacitor 8 µF (450V)
02					0.15	110–115	3360	3.1–3.0	UL • CSA • IP 55 • ISO F bimetal • capacitor 40 µF (450V)
03	0.12	100–115	2850	2.2–2.4	0.15	100–115	3380	2.6–2.8	IP 55 • ISO F • bimetal capacitor 35 µF (250V)

¹⁾ Becker Lube M 32 mineral, S 32 synthetic, SL 32 food packaging or SM 32 food processing

• Type plate data on current consumption and rotation speed of the motors may vary. Tolerance -1.5/+2% in each case.



Suction air rate refers to the intake pressure
 Reference data (atmosphere): 1000 mbar (100 kPa), 20°C
 Tolerance: ±10%



MAKE IT BECKER.