

DATA SHEET

**0 6.8**

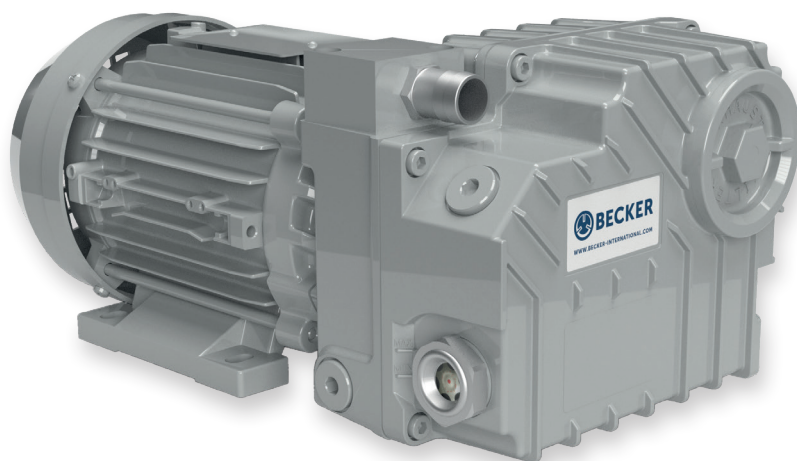
# ROTARY VANE VACUUM PUMPS

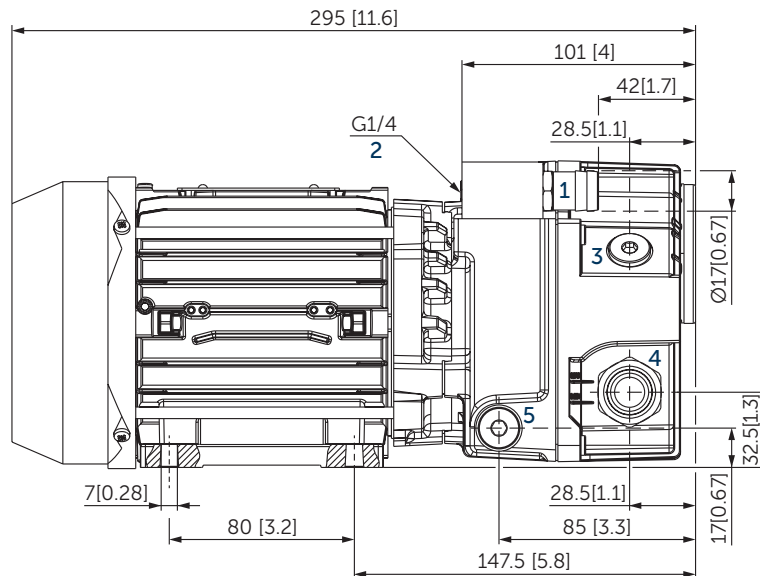
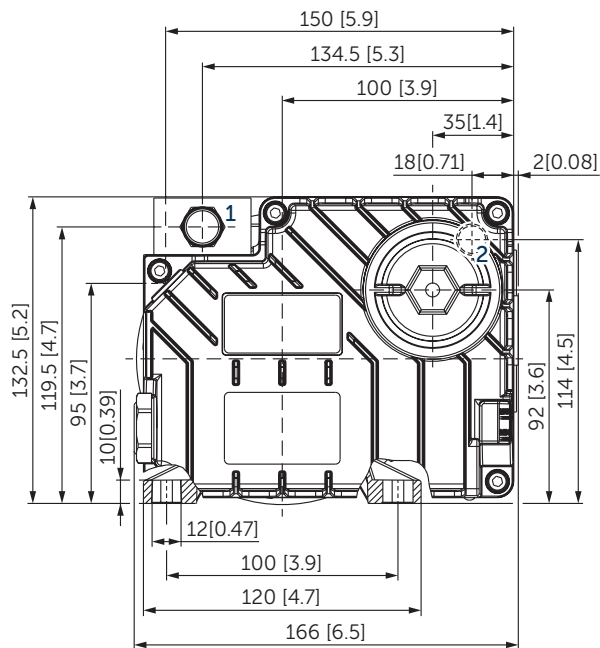
oil-lubricated

air-cooled

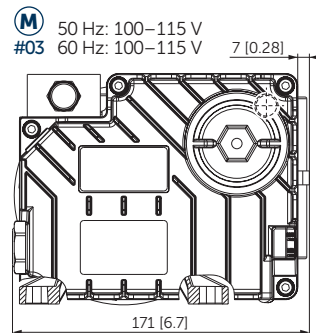
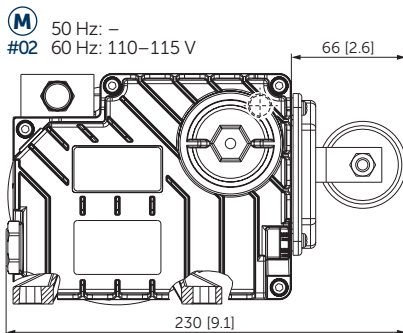
---

**MAKE IT BECKER.**

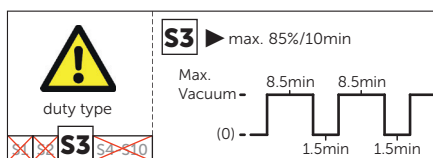




- 1 Vacuum connection Ø17 mm [0.67 inch] (G $\frac{3}{8}$ )
- 2 Exhaust air connection (G $\frac{1}{4}$ )
- 3 Oil filler cap
- 4 Oil sight glass
- 5 Screw plug for oil drain
- Non-return valve and oil separator are integrated
- The motor illustration may vary
- Dimensions in mm [inch]



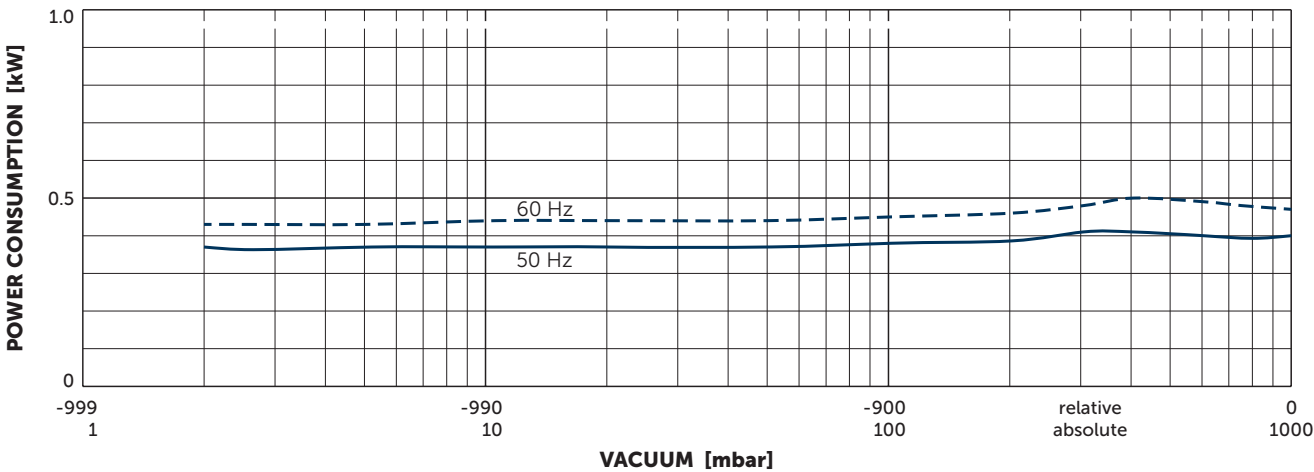
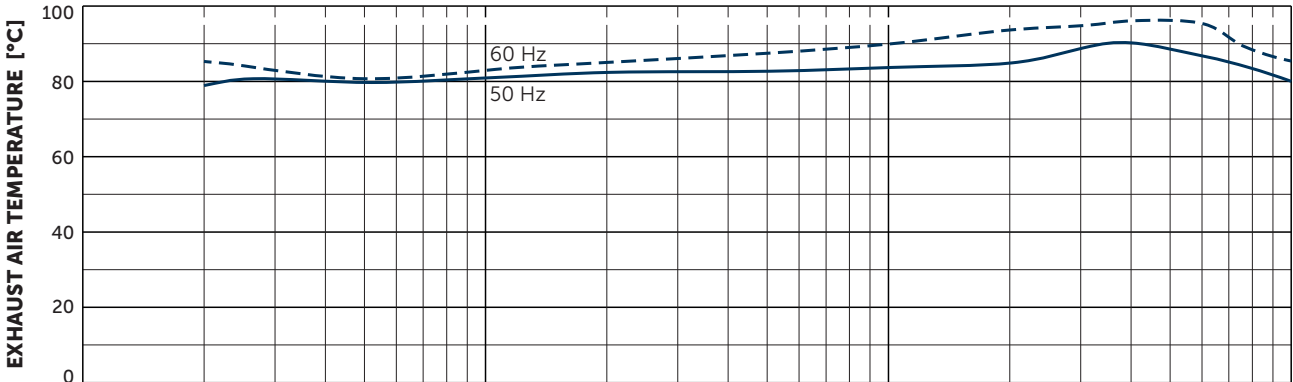
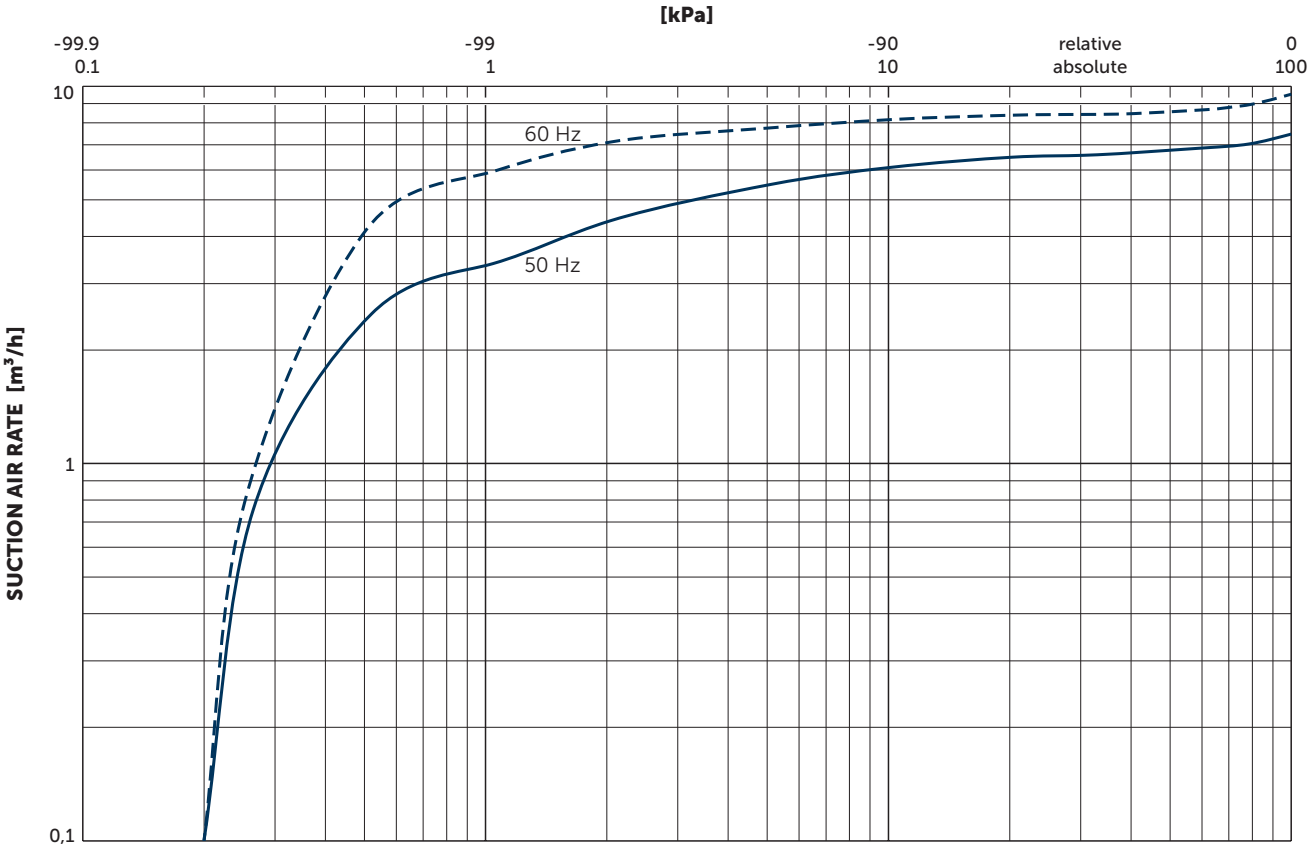
The **operating mode S3** (with periodic intermittent operation) must be maintained according to the following interval!



Nominal capacity		Vacuum absolute		Emission sound pressure level		Weight incl. motor	Oil Becker Lube <sup>1)</sup>
m <sup>3</sup> /h		mbar		dB(A), DIN EN ISO 2151, K 3db		kg	l
50 Hz	60 Hz	50 Hz	60 Hz	50 Hz	60 Hz		
8.0	9.6	≤2	≤2	58	60	≈10.0	0.2

1~ Motors									
#	50 Hz				60 Hz				Version
	kW	V	min <sup>-1</sup>	A	kW	V	min <sup>-1</sup>	A	
01	0.25	220-240	2920	2.3-2.6	0.30	220-240	3490	2.3-2.3	IP 55 • ISO F • bimetal capacitor 12.5 µF (450V)
02					0.36	110-115	3270	5.3-5.5	UL • CSA • IP 55 • ISO F • bimetal capacitor 50 µF (250V)
03	0.30	100-115	2870	5.0-5.5	0.36	100-115	3430	5.0-5.0	IP 55 • ISO F • bimetal capacitor 45 µF (450V)

<sup>1)</sup> Becker Lube M 32 mineral, S 32 synthetic, SL 32 food packaging or SM 32 food processing  
 ▪ Type plate data on current consumption and rotation speed of the motors may vary. Tolerance -1.5/+2% in each case.



Suction air rate refers to the intake pressure  
Reference data (atmosphere): 1000 mbar (100 kPa), 20°C  
Tolerance: ±10%



**MAKE IT BECKER.**