

DATA SHEET

VT 4.10

ROTARY VANE VACUUM PUMPS

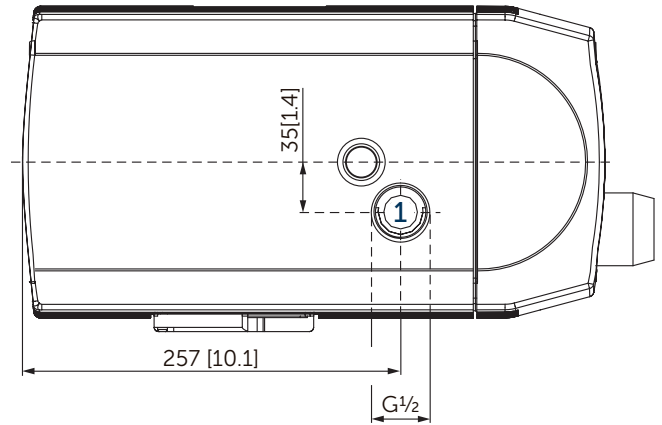
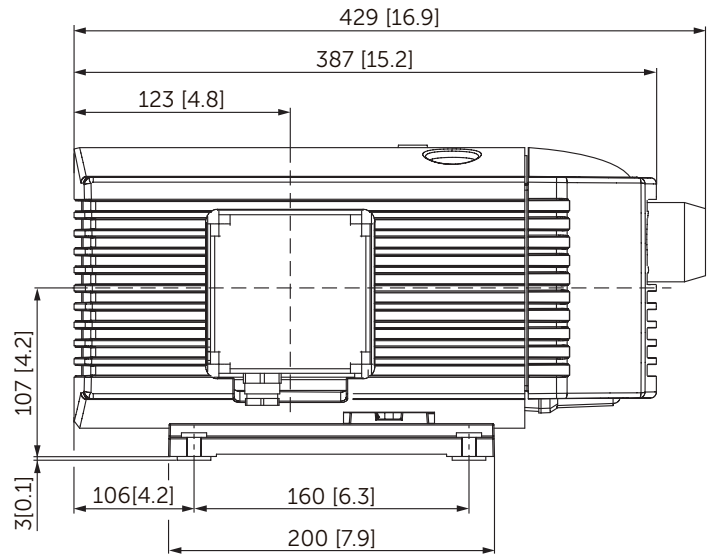
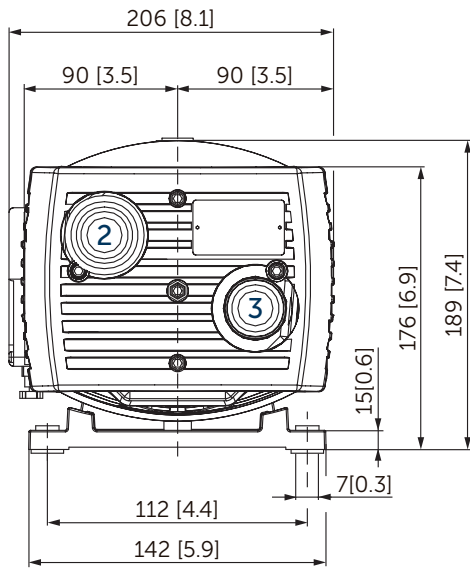
oil-free

air-cooled

MAKE IT BECKER.



figure VT 4.40



- 1 Vacuum connection (G $\frac{1}{2}$)
- 2 Vacuum regulating valve
- 3 Blow-off valve
- Including integrated suction air filter
- The illustration of the terminal box may vary.
- Dimensions in mm [inch]

Suction air rate		Vacuum absolute		Emission sound pressure level ¹⁾		Weight with motor ²⁾
m ³ /h		mbar		dB(A)		kg
50 Hz	60 Hz	50 Hz	60 Hz	50 Hz	60 Hz	
10	12	150	150	60	62	≈16

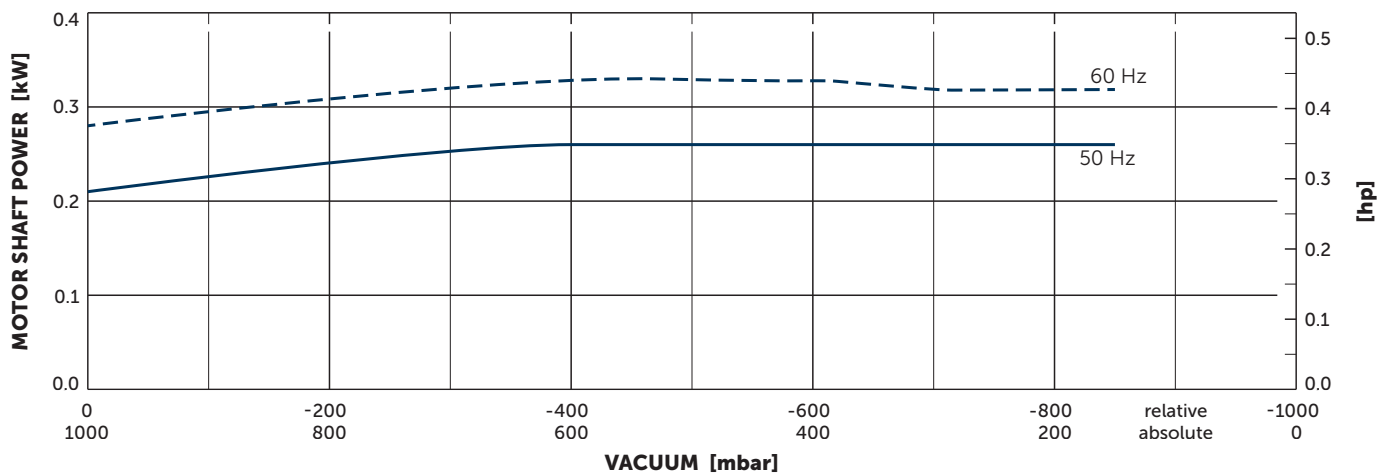
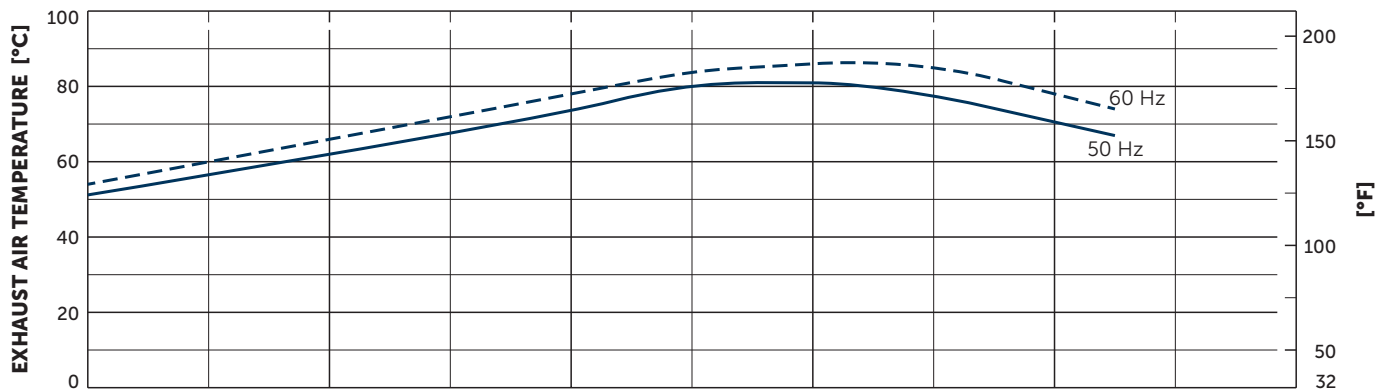
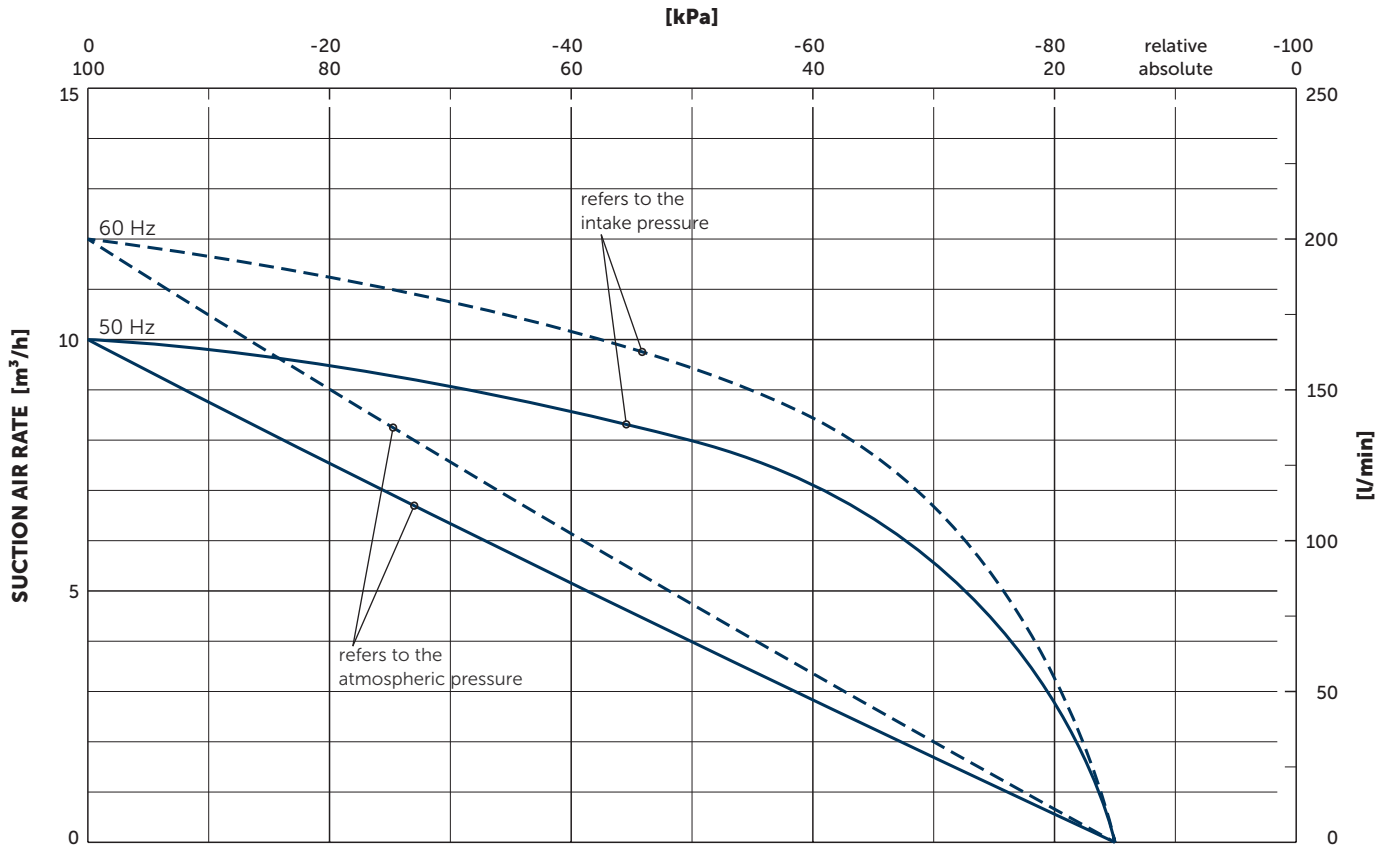
¹⁾ According to DIN EN ISO 3744 (KpA = 3 dB(A)), 1 m [39.4 inch] distance, at medium load, both connection sides piped

²⁾ Depending on the motor

3~ Motors											
#	50 Hz				60 Hz				Version		
	kW	V	rpm	A	kW	V	rpm	A			
01	0.45	Y400	IE3	1400	0.45	YY230/Y460	IE3	1700		IP54 • ISO F PTO (bimetal) 150°C	
						YY208	IE3	1700			
						Y400	–	1700			
02	0.37	175–260/ 300–450	–	1420	2.3/1.33	0.45	202–300/ 350–520	–	1700	2.35/1.36	IP54 • ISO F

1~ Motor										
#	50 Hz				60 Hz				Version	
	kW	V	rpm	A	kW	V	rpm	A		
01	0.37	230 ±10%	1380	3.0	0.44	230 ±10%	1630	3.4	IP54 • ISO F 12 µF (400 V)	

- Current consumption and rotation speed may vary. Tolerance in each case -1.5/+2%
- 3~ motor #01 on request. The technical data are preliminary data and are subject to change.



Reference data (atmosphere): 1000 mbar (100 kPa), 20°C (68°F)
 Tolerance: ±5%
 Air temperature: 5°C ... 45°C (41°F ... 135°F)

+ VARIANTS AND ACCESSORIES

VX 4.10

SERIES X: BECKER INNOVATION WITH TOP WARRANTY

Equipped with specially developed vanes, these oil-free rotary vane pumps distinguish themselves by high abrasion resistance, and with that extremely long service lives. Due to the low wear there is also minimal dust, so the series X pumps are perfectly suited for precision processes under clean room conditions.

This innovation branded by Becker is outstanding not only because of its 100 percent oil-free operation, excellent degree of efficiency and low power consumption.

In the area of sensitive vacuum, series X also guarantees precise low-pulsation air conduction.

Becker guarantees for these pumps a vane life-time of 20,000 operating hours or a maximum of 3 years. The enhanced longevity of X series pumps also extends service life intervals, and can cut out the need for frequent service visits with costly pump failures now no longer an issue.



ADVANTAGES

- Quick, clean and quiet
- Oil-free
- Wear resistant
- Energy saving
- Long-life reliability
- Ultimate pressure 100 mbar absolute

OTHER VARIANTS AND ACCESSORIES

- With external suction filter¹⁾
- Sound proof box SH 20¹⁾



Example for an external suction filter



Sound proof box SH 20

¹⁾ See separate data sheet

- Possible combinations on request



MAKE IT BECKER.