

DATA SHEET

**VT 4.4**

# ROTARY VANE VACUUM PUMPS

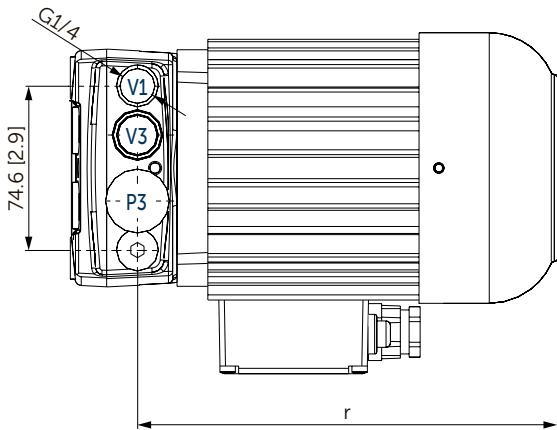
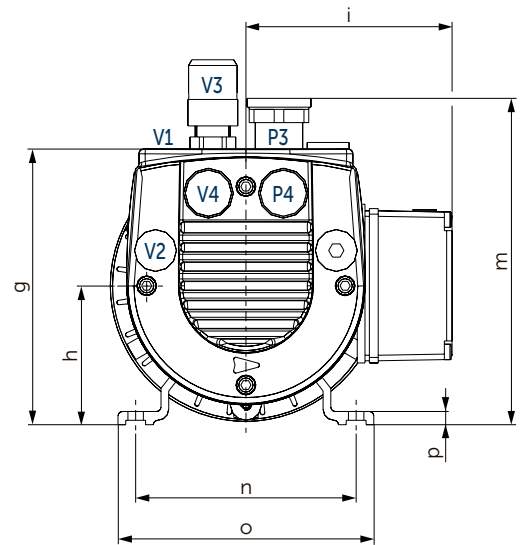
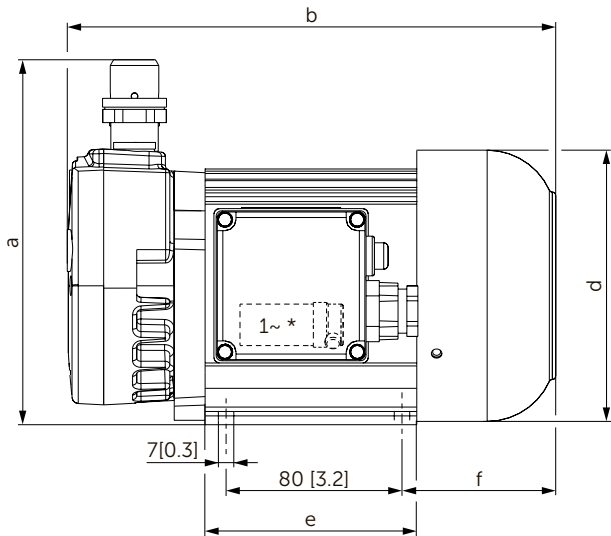
oil-free

air-cooled

---

**MAKE IT BECKER.**





V1 (V2) Vacuum connection (G<sup>1/4</sup>)

V3 (V4) Vacuum regulating valve

P3 (P4) Blow-off valve

(XX) Alternative

- \* The size and position of the capacitor can change with changed voltage / frequency.
- Including integrated suction air filter
- The motor illustration may vary
- Dimensions in mm [inch]

Motors	mm [inch]												
	a	b	d	e	f	g	h	i	m	n	o	p	r
3~	165.5 [6.5]	221.5 [8.7]	125 [4.9]	96 [3.9]	69.5 [2.7]	125.5 [4.9]	63 [2.5]	93 [3.7]	148 [5.8]	100 [3.9]	116 [4.6]	6 [0.24]	191 [7.5]
1~	165.5 [6.5]	221.5 [8.7]	125 [4.9]	96 [3.9]	69.5 [2.7]	125.5 [4.9]	63 [2.5]	93 [3.7]	148 [5.8]	100 [3.9]	116 [4.6]	6 [0.24]	191 [7.5]

Suction air rate		Vacuum absolute		Emission sound pressure level <sup>1)</sup>		Weight incl. motor <sup>2)</sup>
m <sup>3</sup> /h		mbar		dB(A)		
50 Hz	60 Hz	50 Hz	60 Hz	50 Hz	60 Hz	kg
4.1	4.7	150	150	59	61	≈7

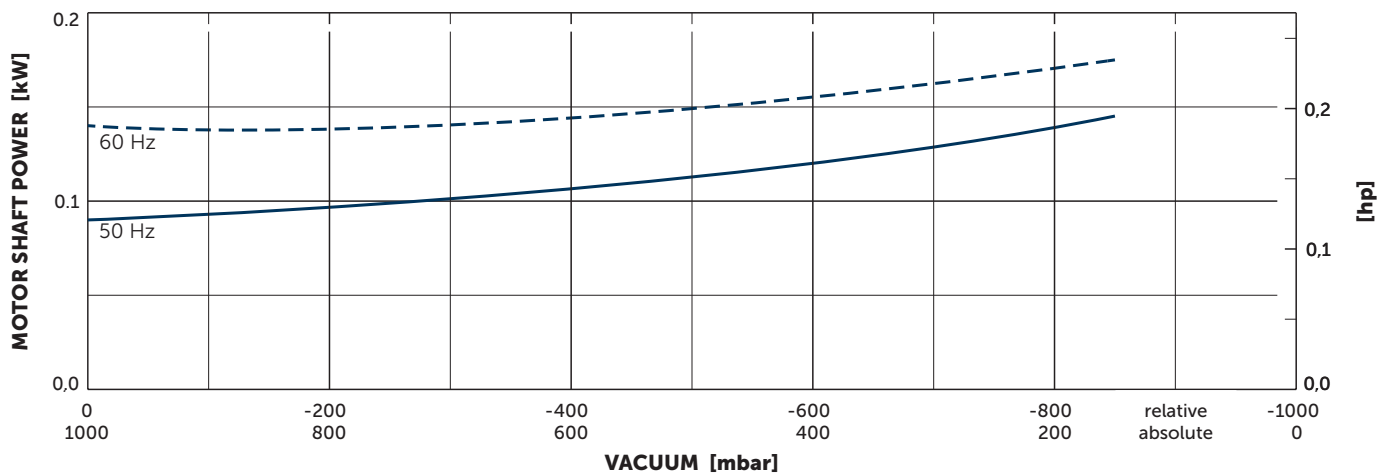
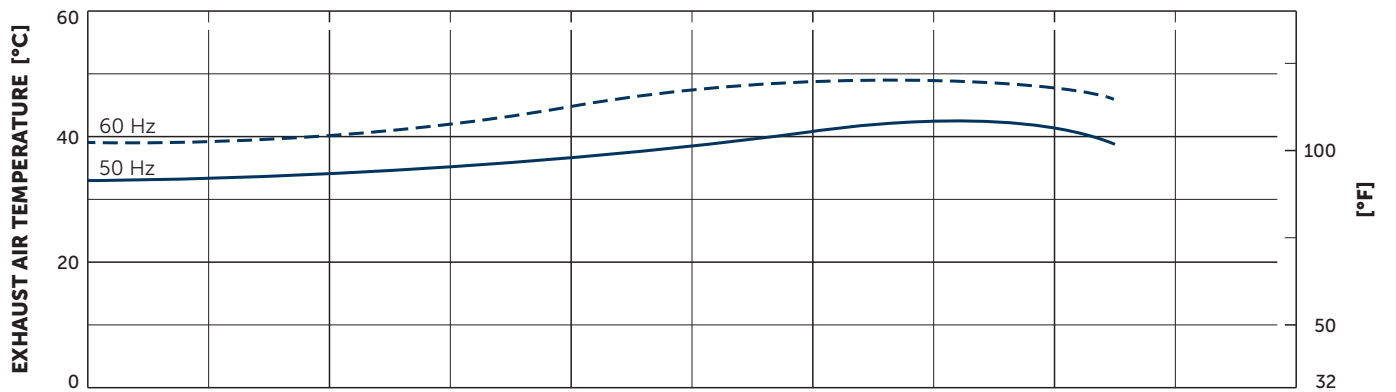
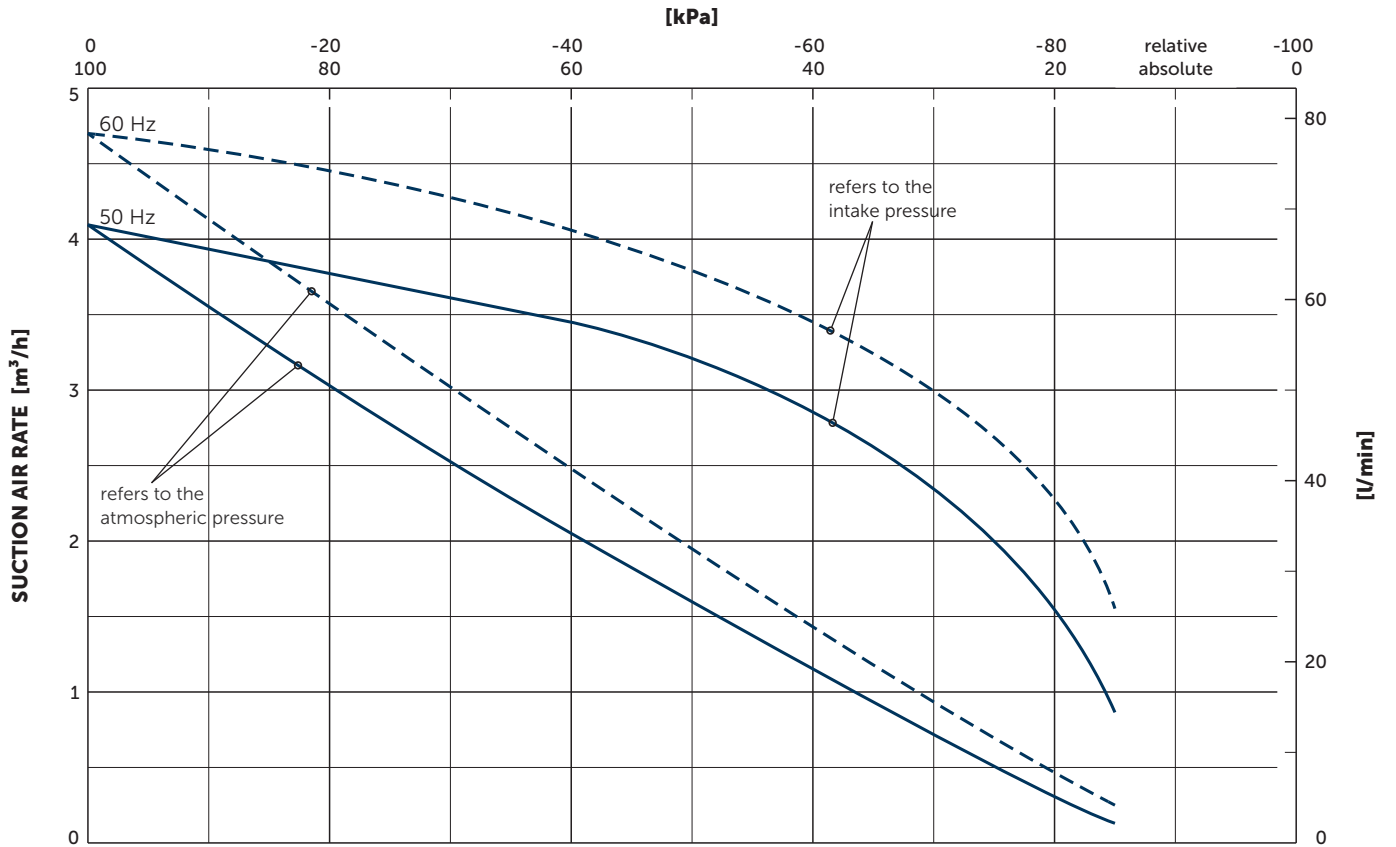
<sup>1)</sup> According to DIN EN ISO 3744 (KpA = 3 dB(A)), 1 m [39.4 inch] distance, at medium load, both connection sides piped

<sup>2)</sup> Depending on the motor

3~ Motors											
#	50 Hz				60 Hz				Version		
	kW	V	rpm	A	kW	V	rpm	A			
01	0.18	$\Delta$ 230/Y400	IE2	2905	1.39/0.80	0.22	$\Delta$ 208/Y360	IE4	3420	1.12/0.65	CE IP55 • ISO F • bimetal
						0.22	$\Delta$ 230/Y400	IE2	3460	1.16/0.65	
						0.18	$\Delta$ 265/Y460	IE2	3515	1.26/0.73	
						0.22	$\Delta$ 265/Y460	IE2	3495	1.32/0.76	
02	0.18	175–260/300–450		2800	1.08/0.62	0.216	202–300/350–520		3360	1.08/0.63	IP54 • ISO F

1~ Motor									
#	50 Hz				60 Hz				Version
	kW	V	rpm	A	kW	V	rpm	A	
01	0.18	230 $\pm$ 10%	2750	1.65	0.216	230 $\pm$ 10%	3200	1.65	CE IP54 • ISO F • bimetal 4,5 $\mu$ F (400 V)

- Current consumption and rotation speed may vary. Tolerance in each case -1.5/+2%

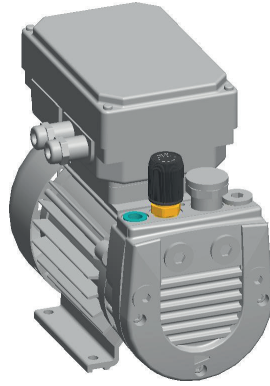


Reference data (atmosphere): 1000 mbar (100 kPa), 20°C (68°F)  
Tolerance: ±10%

## **+** VARIANTS AND ACCESSORIES

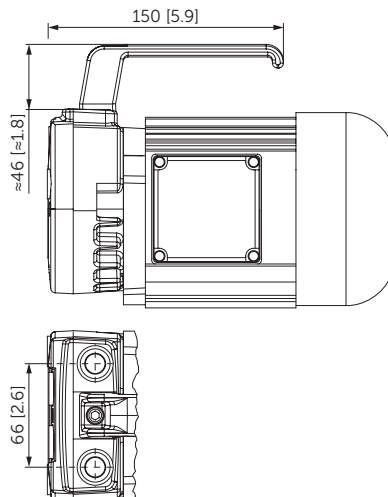
### **VT 4.8 DC<sup>1)</sup>**

- with 24V DC motor



### **VT 4.8/0-28**

- with handle



<sup>1)</sup> See separate data sheet

- Dimensions in mm [inch] – For other dimensions, see the figure on page 2.



**MAKE IT BECKER.**