

DATA SHEET

**DVT 3.60**

# ROTARY VANE PRESSURE/VACUUM PUMPS

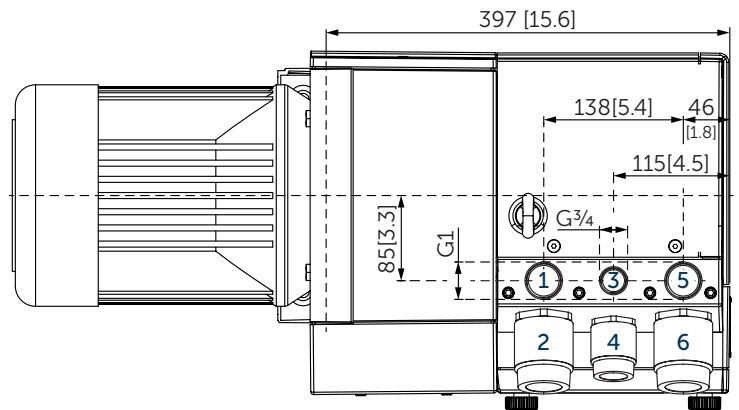
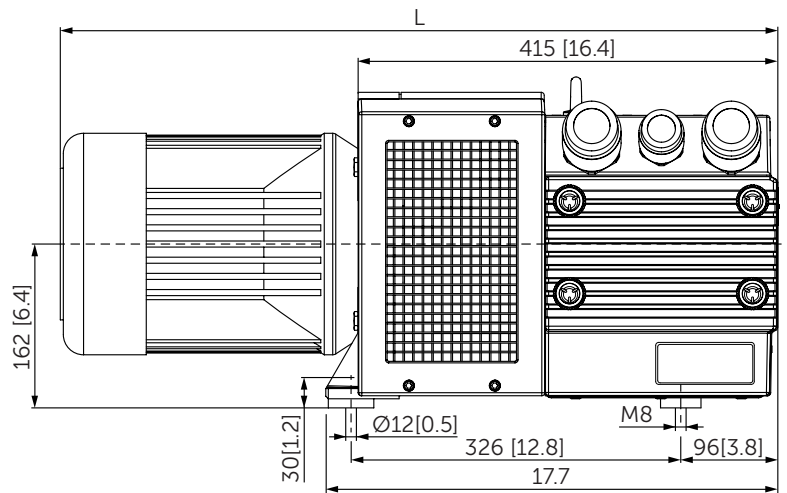
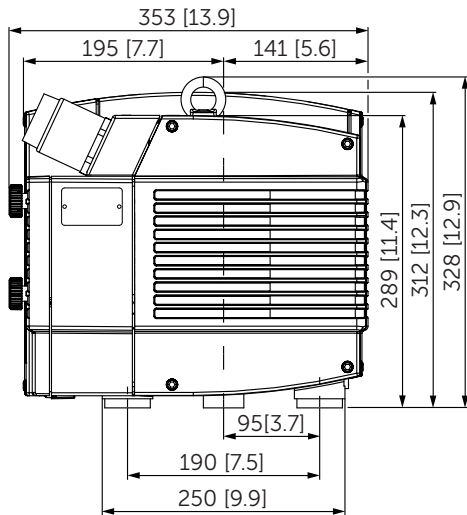
oil-free

air-cooled

---

**MAKE IT BECKER.**





- 1 Pressure connection (G1)
- 2 Pressure regulating valve
- 3 Option: second suction (G<sup>3</sup>/<sub>4</sub>)
- 4 Option: vacuum regulating valve for second suction
- 5 Vacuum connection (G1)
- 6 Vacuum regulating valve
- Including integrated suction air filter
- The motor illustration may vary.
- Dimensions in mm [inch]

Air rate		Pressure/vacuum relative		Motors		Emission sound pressure level <sup>1)</sup>		Weight w/o motor
m <sup>3</sup> /h		bar		kW		dB(A)		kg
50 Hz	60 Hz	50 Hz	60 Hz	50 Hz	60 Hz	50 Hz	60 Hz	
58	69	±0.5	±0.5	2.2	2.6	74–75	75–76	47
58	69	±0.6	±0.6	3.0	3.6	74–75	75–76	47

<sup>1)</sup> According to DIN EN ISO 3744 (KpA = 3 dB(A)), 1 m [39.4 inch] distance, at medium load, both connection sides piped

3~ Motors												L	
#	50 Hz					60 Hz				Version	Weight kg	mm [inch]	
	kW	V	min <sup>-1</sup>	A	kW	V	min <sup>-1</sup>	A					
01	2.2	Δ230/Y400	IE3	1440	8.2/4.8	2.6	Δ265/Y460 Δ230/Y400	IE3	1735 1705	8.2/4.8 9.0/5.2	IP55 • ISO F • bimetal	29	704 [27.7]
02						2.6	YY230/Y460 YY208	IE3	1763 1754	9.3/4.6 9.7	UL(E365362) • CSA CC334B IP55 • ISO F • bimetal	37	747 [29.4]
03	2.2	Δ200/Y350	IE3	1470	10.4/6.0	2.6	Δ220/Y380-400 Δ200/Y350	IE3	1760 1755	10.0/5.8–5.8 10.2/5.9	UL(E365362) • CSA CC334B IP55 • ISO F • bimetal	37	747 [29.4]
04						2.6	Δ400/Y690	IE3	1760	5.3/3.1	UL(E365362) • CSA CC334B IP55 • ISO F • bimetal	37	747 [29.4]
05	3.0	Δ230/Y400	IE3	1445	12.1/7.0	3.6	Δ265/Y460 Δ230/Y400	IE3	1735 1705	12.0/6.9 12.7/7.4	IP55 • ISO F • bimetal	29	843 [33.2]
06	3.0	Δ230/Y400	IE3	1460	12.3/7.1	3.6	Δ265/Y460 Δ230/Y400	IE3	1755 1745	12.0/6.9 12.3/7.1	UL(E365362) • CSA CC334B IP55 • ISO F • bimetal	37	851 [33.5]
07						3.6	YY230/Y460 YY208	IE3	1755 1735	12.7/6.3 13.5	UL(E365362) • CSA CC334B IP55 • ISO F • bimetal	37	851 [33.5]
08	3.0	Δ200/Y350		1465	14.2/8.2	3.6	Δ220/Y380-400 Δ200/Y350	IE3	1755 1745	13.5/7.8–7.5 13.8/8.0	UL(E365362) • CSA CC334B IP55 • ISO F • bimetal	37	851 [33.5]
09						3.6	Δ400	IE3	1760	7.6	UL(E365362) • CSA CC334B IP55 • ISO F • bimetal	37	851 [33.5]

• Current consumption and rotation speed may vary. Tolerance in each case -1.5/+2%

Air rates • power consumptions • temperatures										
relative pressure			relative vacuum							
			50 Hz				60 Hz			
			0 bar	-0.4 bar	-0.5 bar	-0.6 bar	0 bar	-0.4 bar	-0.5 bar	-0.6 bar
+0.4 bar	Suction air rate	m <sup>3</sup> /h	56	29.2	21.8	16.7	65.2	35.3	28.1	21.6
	Blast air rate	m <sup>3</sup> /h	58	42.7	37.5	33.9	68.6	49.9	44.7	39.3
	Power consumption	kW	1.79	2.08	2.15	2.18	2.43	2.73	2.79	2.82
	Temperature compressed air	°C	39	43	44	45	42	45	45	45
+0.5 bar	Suction air rate	m <sup>3</sup> /h	55.2	28.5	22.2	16.2	65	34.9	27	21
	Blast air rate	m <sup>3</sup> /h	56.9	42	37.4	32.9	68.3	49.8	43.5	38.7
	Power consumption	kW	1.89	2.21	2.25	2.31	2.53	2.85	2.85	2.92
	Temperature compressed air	°C	40	43	44	45	43	45	45	46
+0.6 bar	Suction air rate	m <sup>3</sup> /h	54.6	28.3	21.9	15.7	63.8	33.9	27.2	20.6
	Blast air rate	m <sup>3</sup> /h	56.2	41.4	37	32.4	67.1	48.3	43.3	38.1
	Power consumption	kW	1.92	2.28	2.34	2.4	2.6	2.92	3.01	3.04
	Temperature compressed air	°C	40	44	45	45	44	47	47	48

Reference data (atmosphere): 1000 mbar (100 kPa), 20°C (68°F)

Tolerance: ±5%

Air temperature: 5°C ... 45°C (41°F ... 135°F)

## **+** VARIANTS AND ACCESSORIES

- With first and second suction
- With external suction filter<sup>1)</sup>
- Sound proof box SH 13<sup>1)</sup>



Example for an external suction filter



Sound proof box SH 13

<sup>1)</sup> See separate data sheet

- Possible combinations on request



**MAKE IT BECKER.**