

DATA SHEET

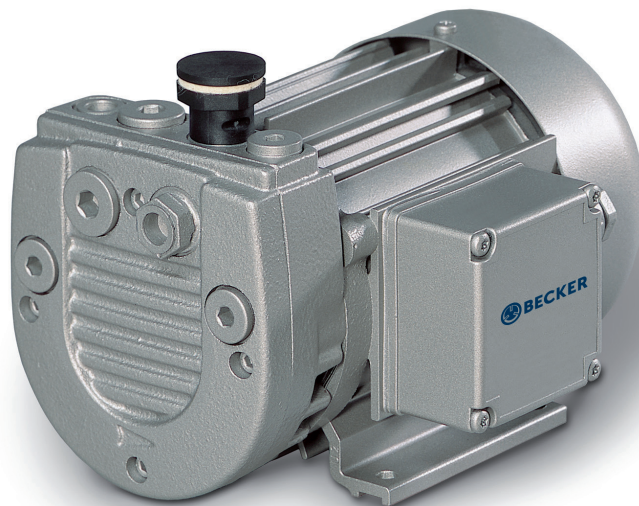
VT 4.2

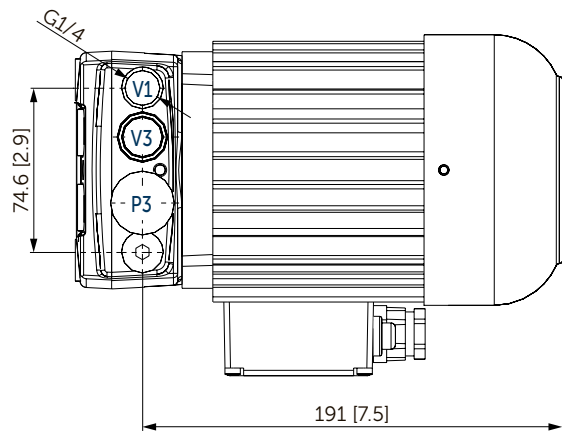
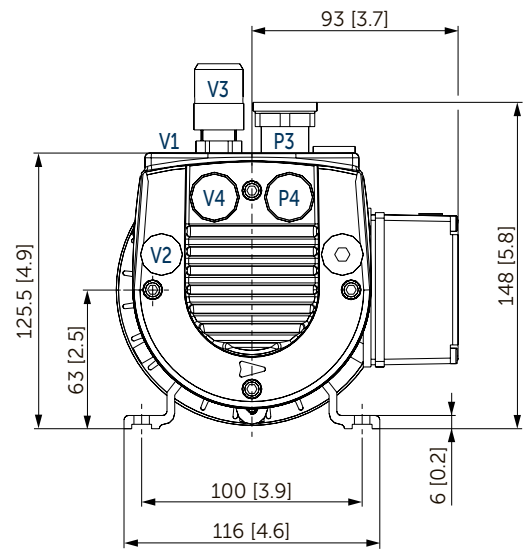
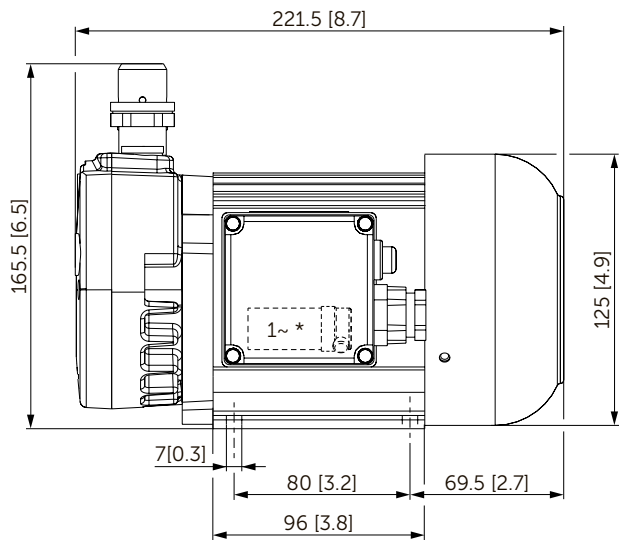
ROTARY VANE VACUUM PUMPS

oil-free

air-cooled

MAKE IT BECKER.



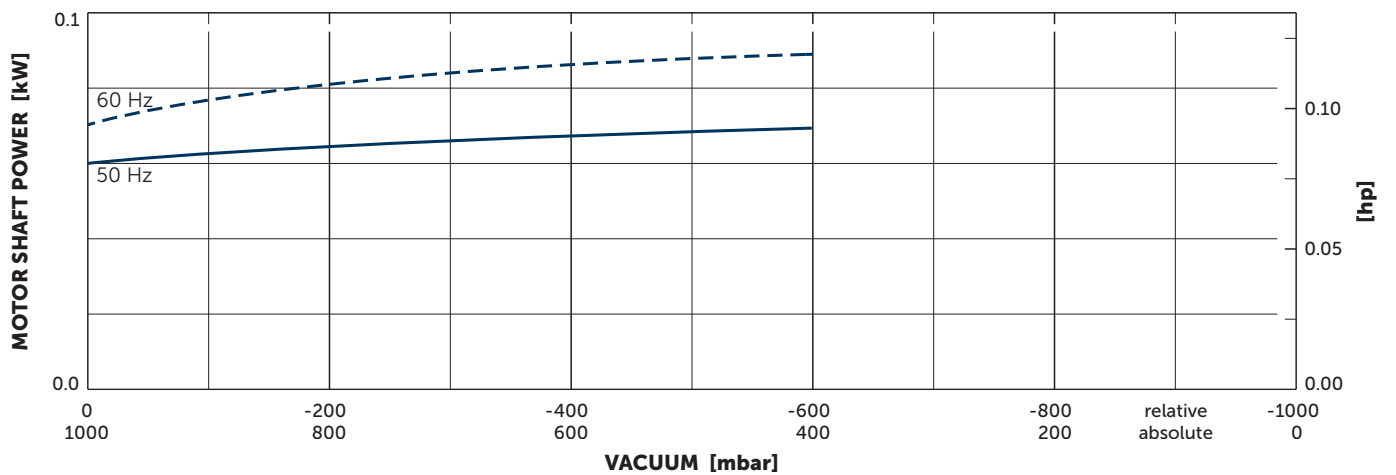
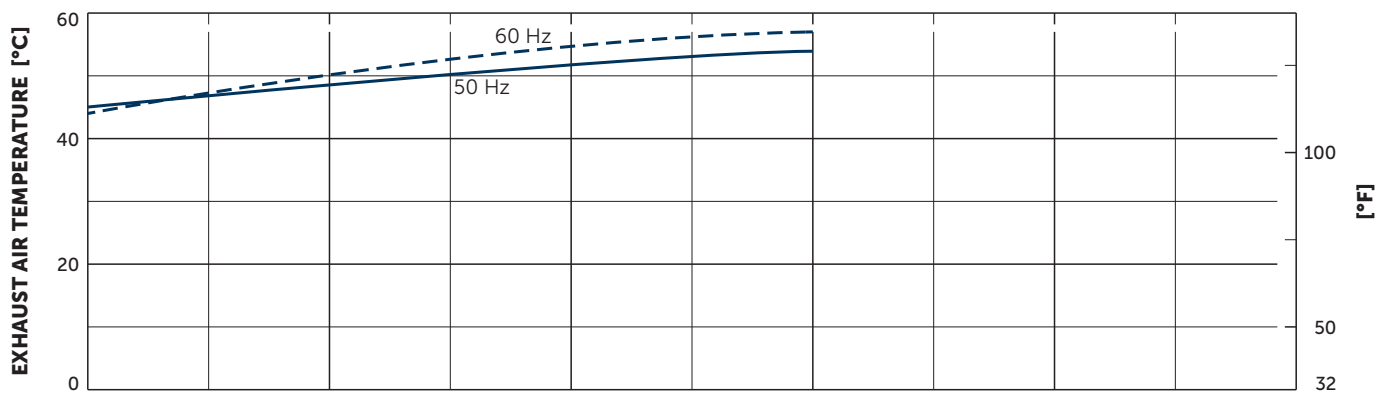
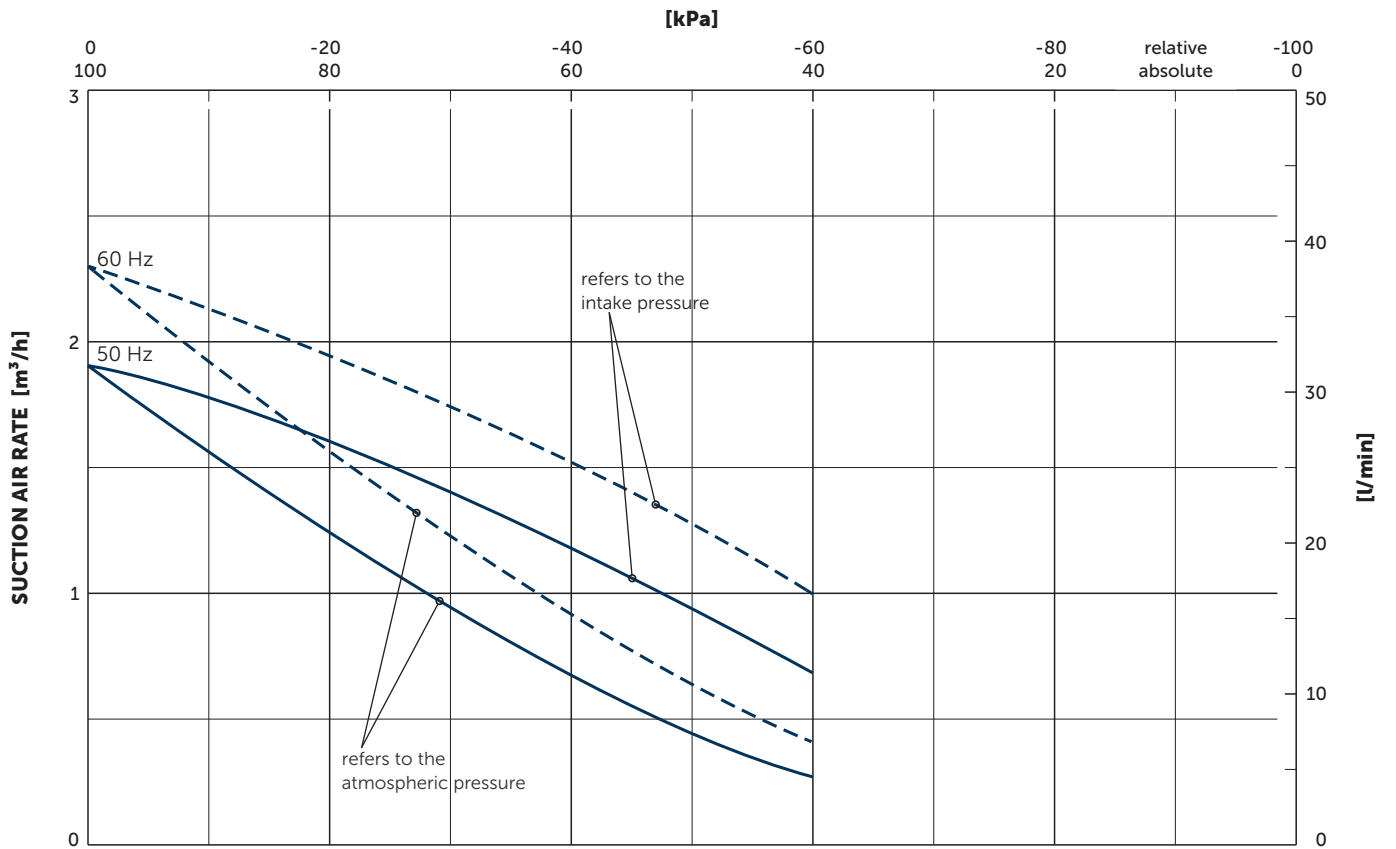


- V1 (V2) Vacuum connection (G¹/₄)
- V3 (V4) Vacuum regulating valve
- P3 (P4) Blow-off valve
- (XX) Alternative
 - * The size and position of the capacitor can change with changed voltage / frequency.
 - Including integrated suction air filter
 - The motor illustration may vary
 - Dimensions in mm [inch]

Suction air rate		Vacuum absolute		Emission sound pressure level ¹⁾		Weight incl. motor
m ³ /h		mbar		dB(A)		kg
50 Hz	60 Hz	50 Hz	60 Hz	50 Hz	60 Hz	
1.9	2.3	400	400	56	58	7

1~ Motor									
#	50 Hz				60 Hz				Version
	kW	V	rpm	A	kW	V	rpm	A	
01	0.09	230 ±10%	1320	1.11	0.105	230 ±10%	1570	1.07	IP54 • ISO F 4 µF (400 V)

¹⁾ DIN EN ISO 3744 (KpA = 3 dB(A)) interval of 1 m [39.4 inch], at medium load, both connection sides piped
 ▪ Current consumption and rotation speed may vary. Tolerance in each case -1.5/+2%



Reference data (atmosphere): 1000 mbar (100 kPa), 20°C (68°F)
Tolerance: ±10%



MAKE IT BECKER.