

DATA SHEET

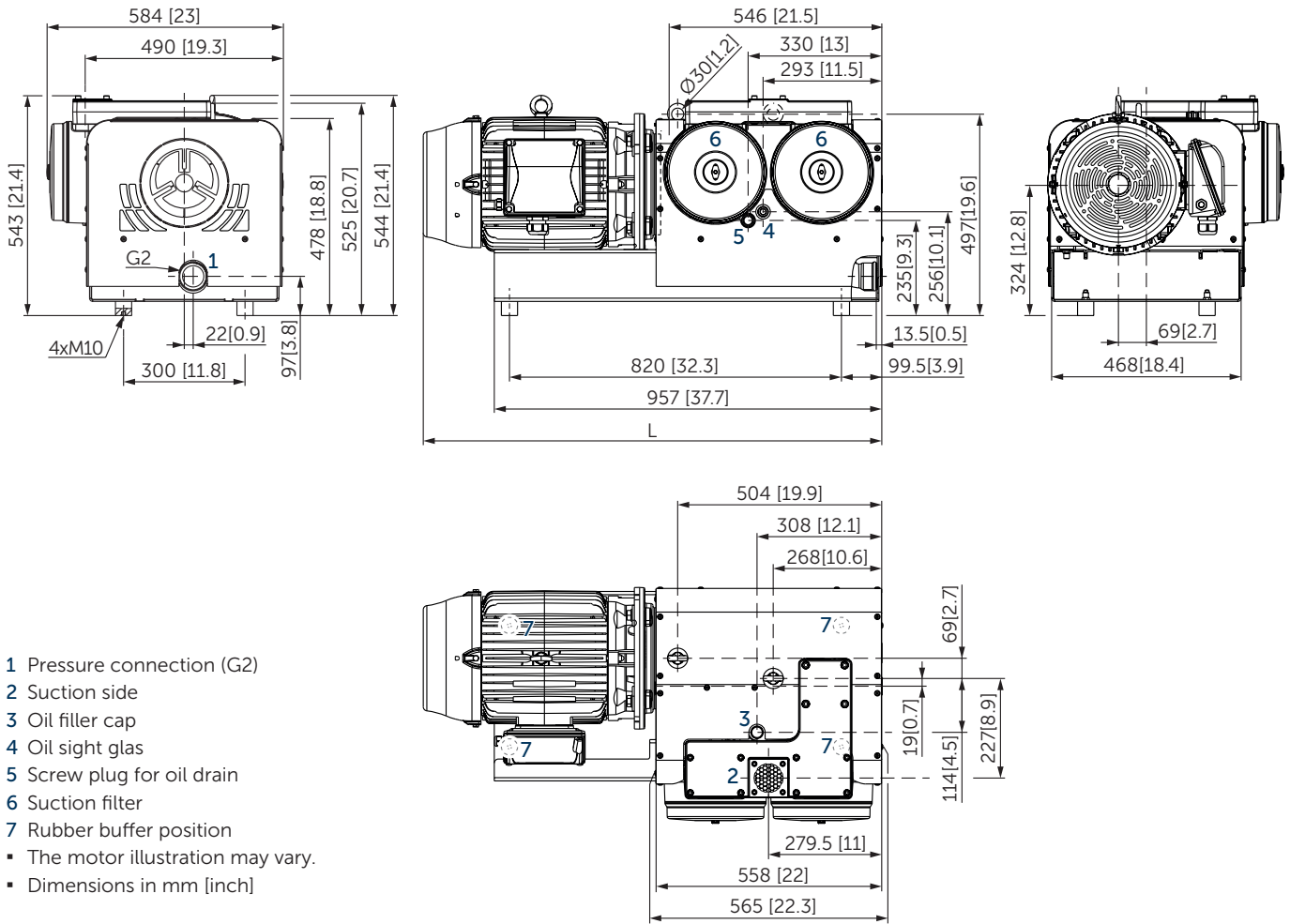
BCP 300

CLAW COMPRESSORS

dry and contact free compression
air-cooled

MAKE IT BECKER.





Nominal capacity		Pressure relative motor-dependent	Emission sound pressure level ¹⁾		Weight without motor
50 Hz	60 Hz		50 Hz	60 Hz	
275	325	+0.5 ²⁾ /+1.3/+1.6/+2.0	82 (+1 bar)	86 (+1 bar)	≈205.5

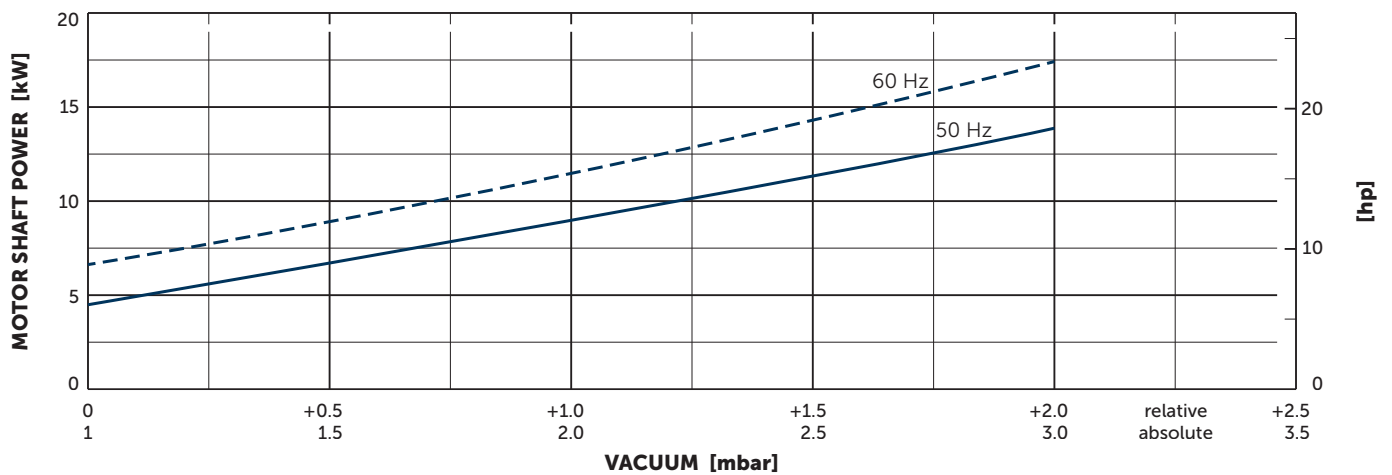
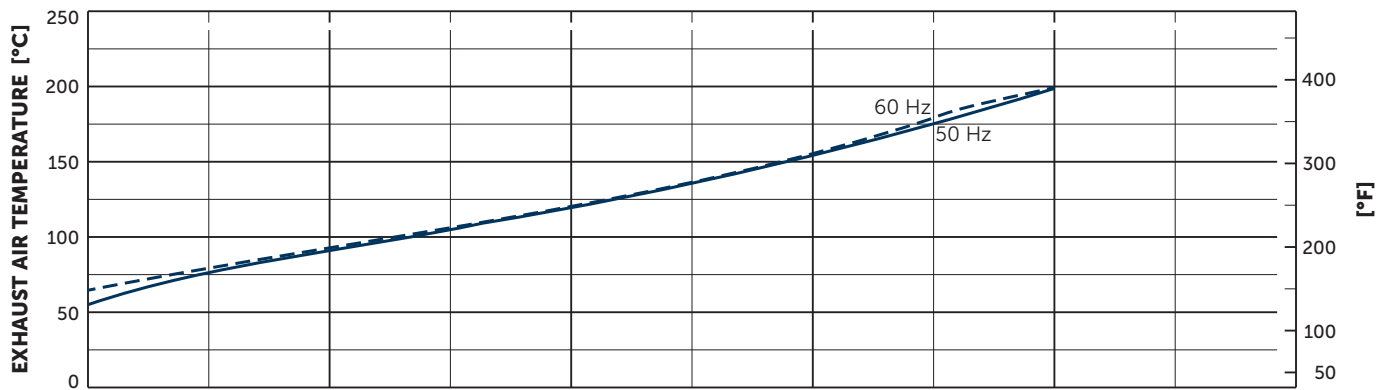
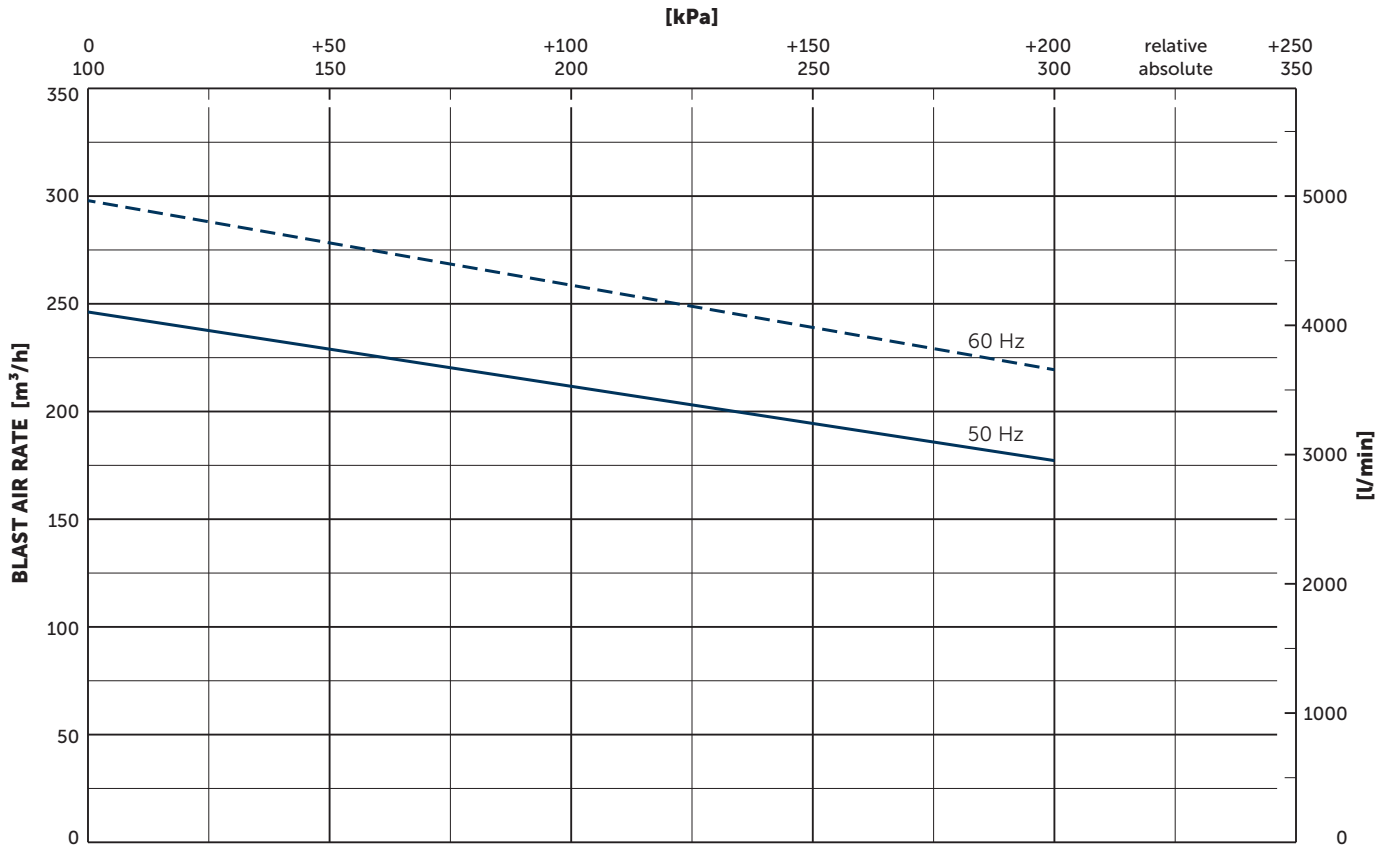
¹⁾ According to DIN EN ISO 11203, accuracy class of measurement: class 2, extended measurement uncertainty: 3 dB
 1 m [39.4 inch] distance, at medium load, both connection sides piped

²⁾ Currently not available

Pressure relative bar	3~ Motors										Length L mm [inch]	
	#	50 Hz				60 Hz				Version		Weight kg
	kW	V	min ⁻¹	A	kW	V	min ⁻¹	A				
+0.5 ¹⁾	01	Δ380/Y660 IE3 2915 14.4/8.29				7.5	Δ460/Y – IE3 3535 12.4/ –		UL(E104590) CSA • CC029A IP55 • ISO F • PTC	70	953 [37.5]	
		Δ400/Y690 IE3 2925 14.1/8.17					Δ460/Y – IE2 3515 14.3/ –					
	Δ415/Y – IE3 2930 13.9/ –				9.0		Δ400/Y690 IE1 3470 16.5/9.56		UL(E104590) CSA • CC029A IP55 • ISO F • PTC	83	990 [39]	
	Δ200/Y346 IE3 2945 28.6/16.5				9.0		Δ220/Y380 IE3 3530 29.8/17.2					
+1.3	02	Δ200/Y346 IE3 2945 28.6/16.5				9.0	Δ – /Y400 IE3 3535 – /16.7		UL(E104590) CSA • CC029A IP55 • ISO F • PTC	83	990 [39]	
		Δ230/Y400 IE3 2949 35.2/20.2					11.0					YY230/Y460 IE3 3557 35.7/17.8
	Δ290/Y500 IE3 2950 27.5/16.0				11.0		Δ332/Y575 IE3 3555 24.7/14.3		UL(E104590) CSA • CC029A IP55 • ISO F • PTC	113	1086 [42.8]	
	Δ415/Y – IE3 2950 19.7/ –				11.0		YY208/Y – 3443 34.3/ –					
+1.6	05	Δ380/Y660 IE3 2945 28.8/12.0				11.0	Δ460/Y – IE3 3555 17.8/ –		UL(E104590) CSA • CC029A IP55 • ISO F • PTC	118	1086 [42.8]	
		Δ400/Y690 IE3 2950 20.0/11.6					13.2					Δ460/Y – IE3 3518 20.9/ –
	Δ415/Y – IE3 2950 19.7/ –				13.2		Δ400/Y – IE2 3544 23.5/ –		UL(E104590) CSA • CC029A IP55 • ISO F • PTC	113	1086 [42.8]	
	Δ200/Y346 IE3 2955 43.0/24.8				13.2		Δ220/Y380 IE3 3550 44.2/25.6					
+2.0	07	Δ230/Y400 IE3 2945 48.1/27.7				15.0	YY230/Y460 IE3 3555 48.9/24.4		UL(E104590) CSA • CC029A IP55 • ISO F • PTC	126	1086 [42.8]	
		Δ290/Y500 IE3 2945 38.1/22.1					15.0					YY208/Y – 3543 52.6/ –
	Δ332/Y575 IE3 3555 33.9/19.6				15.0		Δ332/Y575 IE3 3555 33.9/19.6		UL(E104590) CSA • CC029A IP55 • ISO F • PTC	120	1086 [42.8]	
	Δ415/Y – IE3 2952 27.0/ –				15.0		Δ460/Y – IE3 3556 24.4/ –					
+2.0	09	Δ380/Y660 IE3 2940 28.2/16.2				15.0	Δ460/Y – IE3 3556 24.4/ –		UL(E104590) • CSA IP55 • ISO F • PTC	129	1086 [42.8]	
		Δ400/Y690 IE3 2947 27.4/15.9					18.0					Δ400/Y690 IE1 3515 31.8/18.5
	Δ415/Y – IE3 2952 27.0/ –				18.0		Δ – /Y460 IE3 3543 – /28.3		UL(E104590) CSA • CC029A IP55 • ISO F • PTC	119	1086 [42.8]	
	Δ200/Y346 IE3 2955 55.4/32.0				18.0		Δ220/Y380 IE3 3545 58.3/33.8					
+2.0	10	Δ200/Y346 IE3 2955 55.4/32.0				18.0	Δ – /Y400 IE3 3550 – /32.8		UL(E104590) CSA • CC029A IP55 • ISO F • PTC	119	1086 [42.8]	
		Δ230/Y400 IE3 2945 57.8/33.2					18.5					YY230/Y460 IE3 3555 58.9/29.4
	Δ290/Y500 IE3 2950 46.3/26.9				18.5		YY208/Y – 3540 62.9/ –		UL(E104590) CSA • CC029A IP55 • ISO F • PTC	140	1130 [44.5]	
	Δ415/Y – IE3 2952 27.0/ –				18.5		YY208/Y – 3540 62.9/ –					
+2.0	11	Δ230/Y400 IE3 2945 57.8/33.2				18.5		YY230/Y460 IE3 3555 58.9/29.4		UL(E104590) CSA • CC029A IP55 • ISO F • PTC	140	1130 [44.5]
		Δ290/Y500 IE3 2950 46.3/26.9				18.5		YY208/Y – 3540 62.9/ –				
+2.0	12	Δ290/Y500 IE3 2950 46.3/26.9				18.5		Δ332/Y575 IE3 3555 41.8/24.1		UL(E104590) CSA • CC029A IP55 • ISO F • PTC	155	1130 [44.5]
		Δ415/Y – IE3 2952 27.0/ –				18.5		YY208/Y – 3540 62.9/ –				

¹⁾ Currently not available

- Current consumption and rotation speed may vary. Tolerance in each case -1.5/+2%
- Motors 06, 08, 10, 11 and 12 on request. The technical data are preliminary data and are subject to change.



Reference data (atmosphere): 1000 mbar (100 kPa), 20°C (68°F), measurements with integrated filter
 Tolerance: ±10%



MAKE IT BECKER.