

DATA SHEET

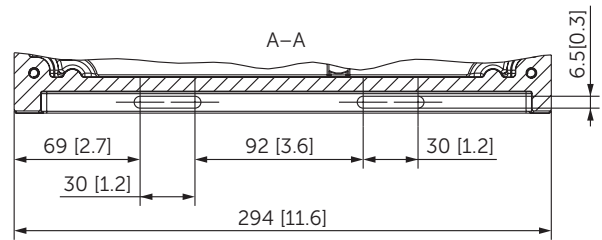
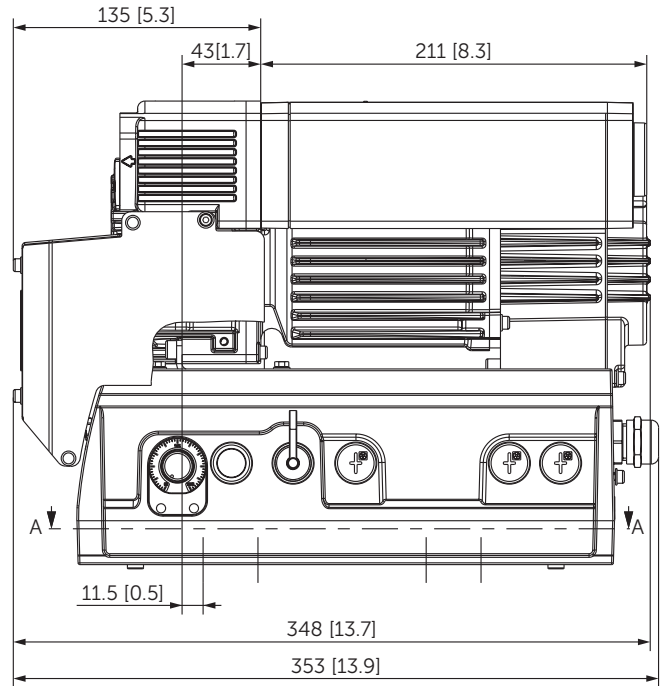
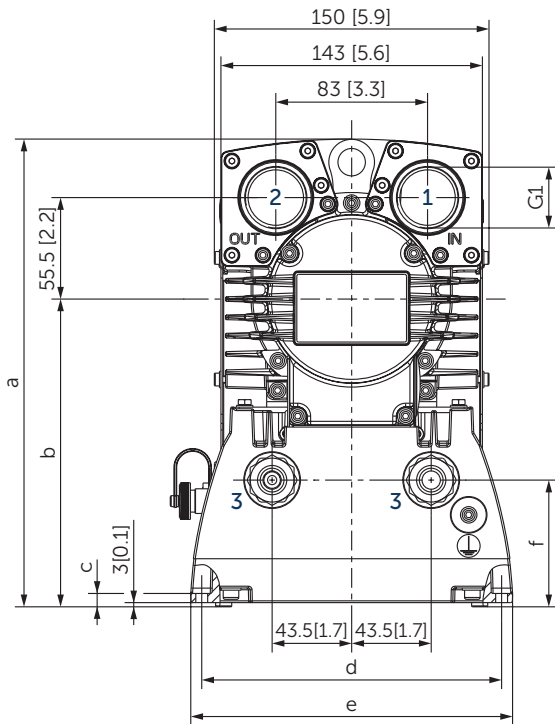
VASF 2.50/2-0.XXXXXX

SIDE CHANNEL BLOWERS

double stage, air-cooled
VARIAIR frequency inverter

MAKE IT BECKER.



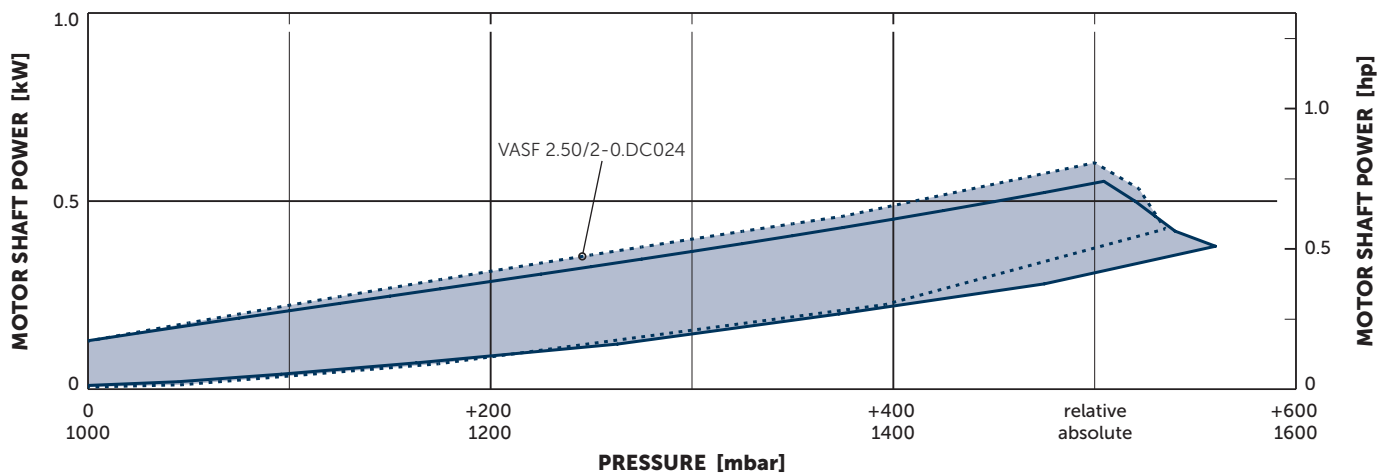
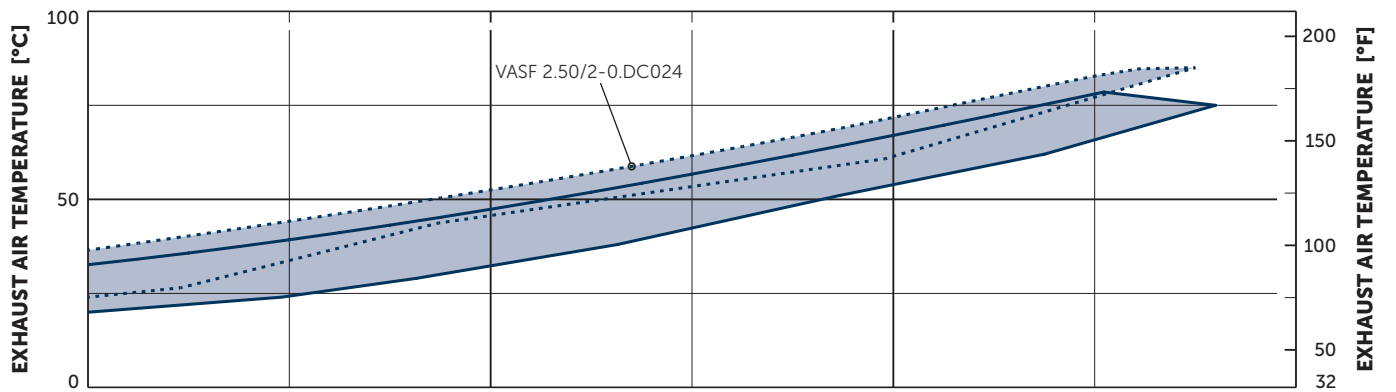
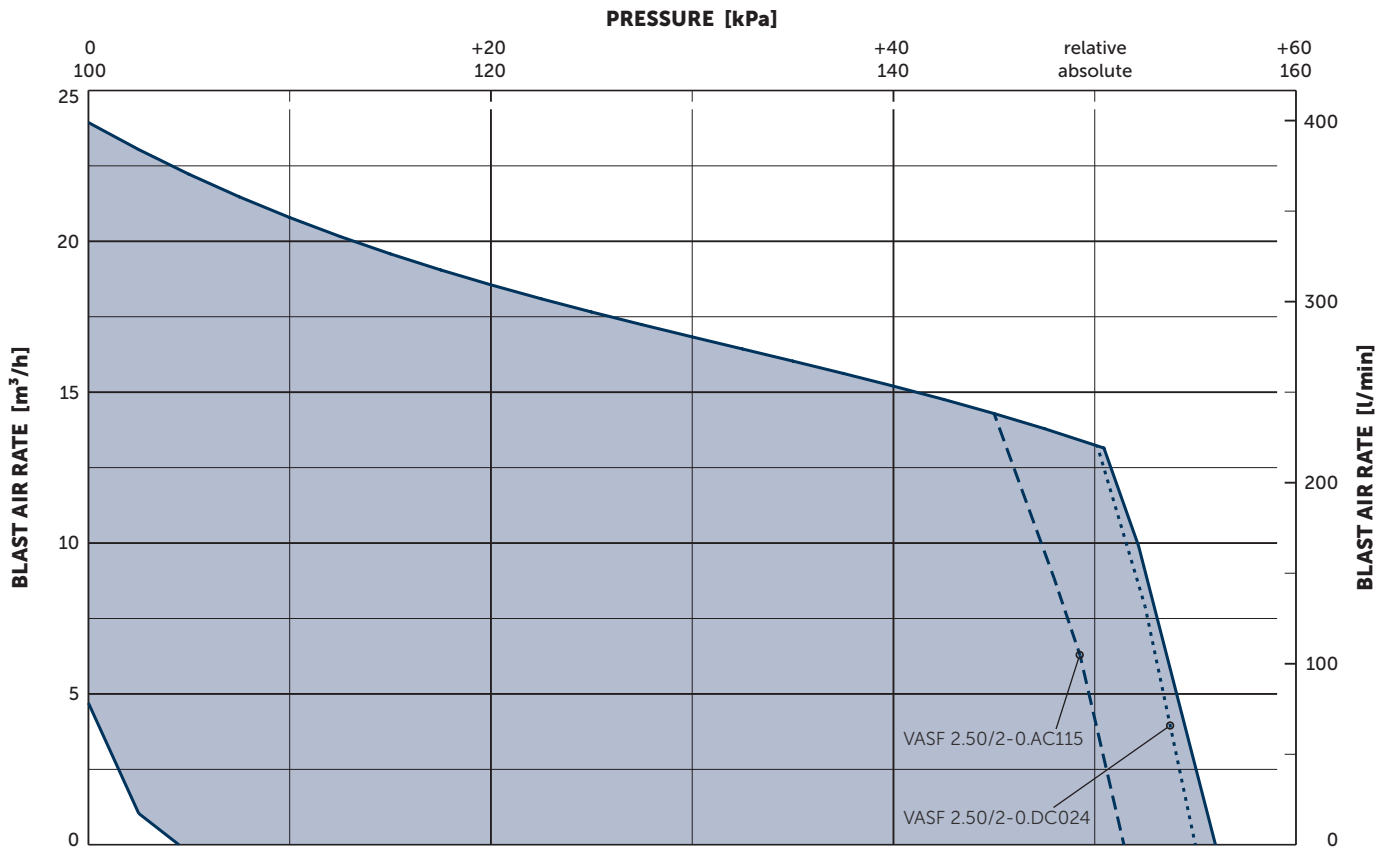


- 1 Vacuum connection (G 1)
- 2 Pressure connection (G 1)
- 3 SKINTOP MS-SC-M20x1.5 / clamping range \varnothing 7–13 mm [0.3–0.5 inch]
- Illustration of the AC version
- Dimensions in mm [inch]

	a	b	c	d	e	f
AC	256.5 [10.1]	169 [6.7]	8 [0.3]	164.0 [6.5]	176.0 [6.9]	70 [2.8]
DC	233.0 [9.2]	146 [5.8]	4 [0.2]	161.6 [6.4]	172.5 [6.8]	47 [1.9]

VASF 2.50/2	Blast air rate	Pressure relative		Frequency	Emission sound pressure level ¹⁾	Weight		
	m ³ /h max.	mbar max.	kPa max.	Hz	dB(A)	kg		A max.
-0.AC230	24	+560	+56	50–300	61	12.3	0.65 kW AC 1~ 200 V -10% ... 230 V +10% 50/60 Hz	6
-0.AC115	24	+510	+51	50–300	61	12.3	0.60 kW AC 1~ 100 V -10% ... 115 V +10% 50/60 Hz	10
-0.DC024	24	+550	+55	50–300	65	11.5	0.75 kW DC 24 V \pm 20%	35

¹⁾ According to DIN EN ISO 11203, accuracy class of measurement: class 2, extended measurement uncertainty: 3 dB
1 m [39.4 inch] distance, at medium load. both connection sides piped, suction side unloaded



Reference data (atmosphere): 1000 mbar (100 kPa), 20°C (68°F)
 Tolerance: ±10%
 Max. ambient temperature: ≤ 45°C (≤ 113°F)

MAKE IT BECKER.