

DATA SHEET

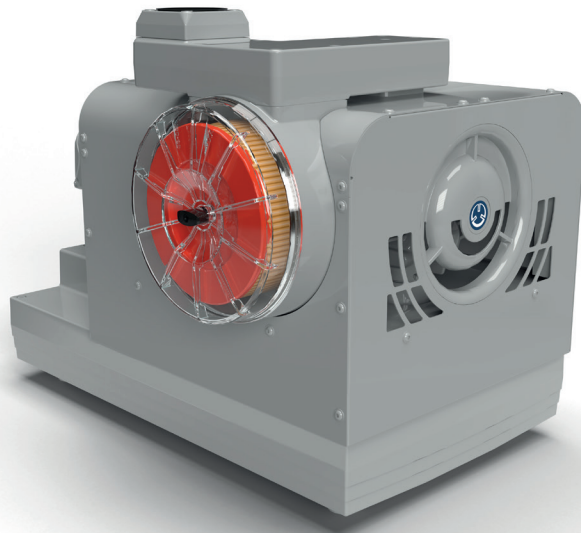
**BCV 150**

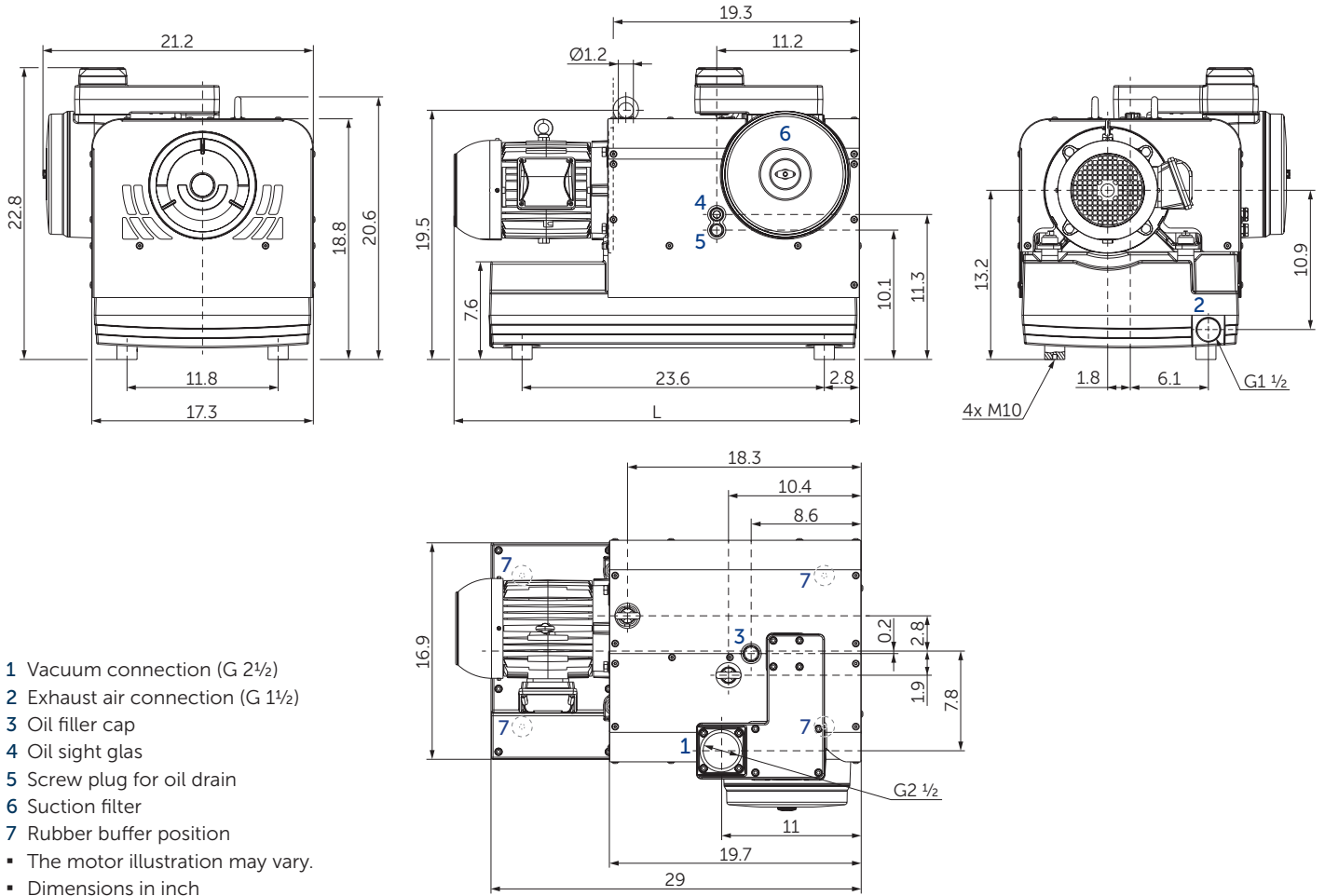
# **CLAW VACUUM PUMPS**

dry and contact free compression  
air-cooled

---

**MAKE IT BECKER.**





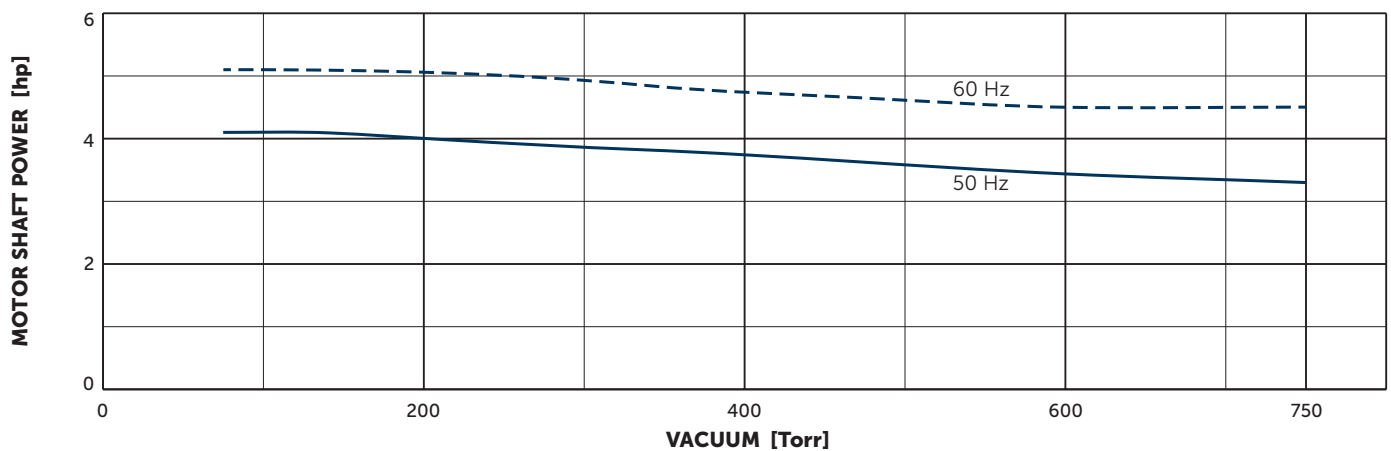
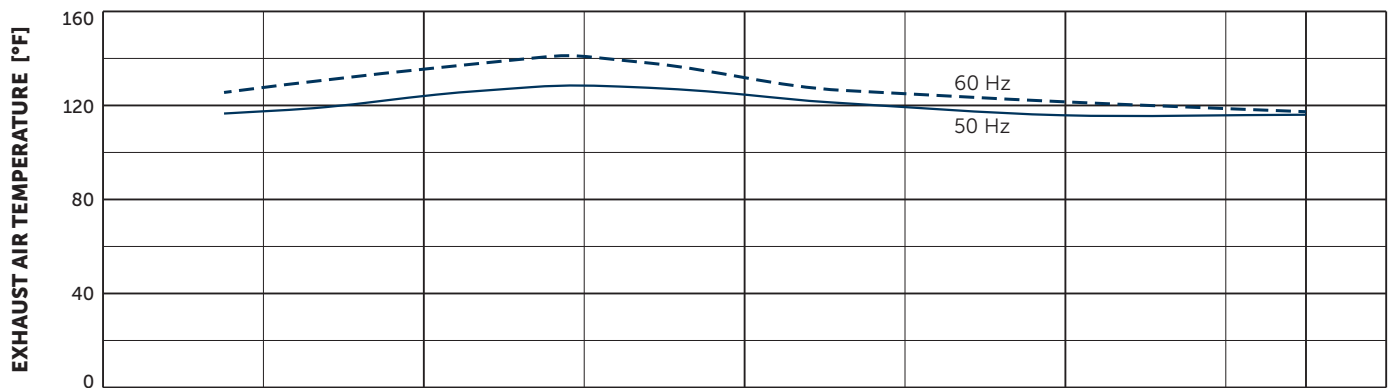
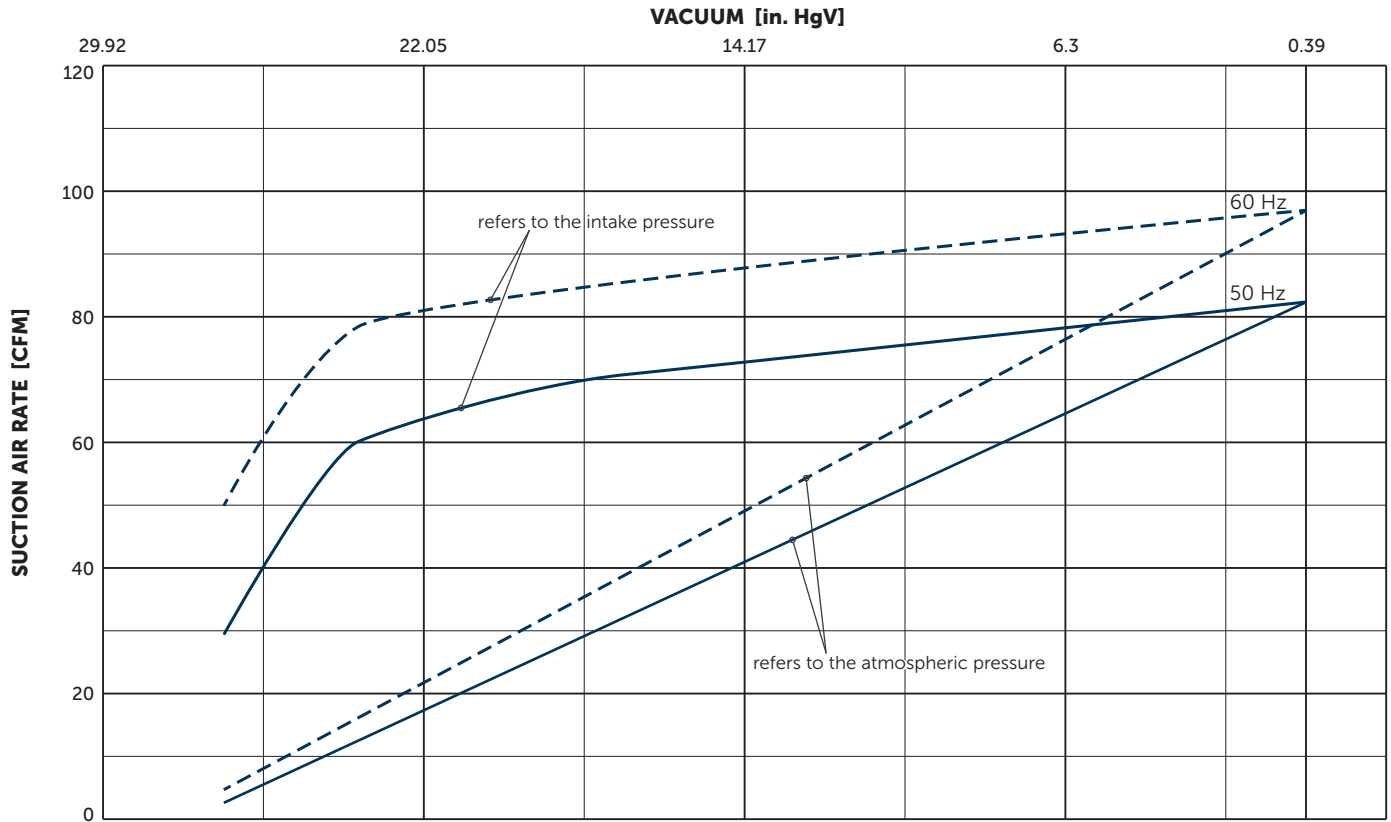
- 1 Vacuum connection (G 2½)
  - 2 Exhaust air connection (G 1½)
  - 3 Oil filler cap
  - 4 Oil sight glass
  - 5 Screw plug for oil drain
  - 6 Suction filter
  - 7 Rubber buffer position
- The motor illustration may vary.  
 ▪ Dimensions in inch

Nominal capacity		Vacuum		Emission sound pressure level <sup>1)</sup>		Weight without motor
CFM		Torr	in. HgV	dB(A)		lbs
50 Hz	60 Hz	50 & 60 Hz	50 & 60 Hz	50 Hz	60 Hz	
88.2	105.8	75	26.6	67 (450 Torr)	71 (450 Torr)	344

3~ Motors													
#	50 Hz				60 Hz				Version	Weight lbs	L inch		
	hp	V	rpm	A	hp	V	rpm	A					
01	4.0	Δ220/Y380	IE3	2900	10.3/5.95	4.0	Δ - /Y460	IE3	3520	- /5.01	UL(E104590) • CSA • CC029A IP55 • ISO F • PTC	75.0	31.7
		Δ230/Y400	IE3	2910	10.0/5.77			IE1	3453	11.6/6.69			
		Δ240/Y415	IE3	2915	9.82/5.68			IE2	3505	10.2/5.87			
02	5.4	Δ230/Y400	IE3	2910	13.2/7.59	5.4	YY230/Y460	IE3	3520	13.5/6.75	UL(E104590) • CSA • CC029A IP55 • ISO F • PTC	99.2	32.4
03	5.4	Δ290/Y500	IE3	2910	10.5/6.08	5.4	Δ332/Y575	IE3	3525	9.47/5.47	UL(E104590) • CSA • CC029A IP55 • ISO F • PTC	97.0	32.4
04	4.0	Δ200/Y346	IE3	2935	12.3/7.1	4.8	Δ200/Y346	IE3	3500	13.2/7.63	UL(E104590) • CSA • CC029A IP55 • ISO F • PTC	83.8	33.4
								IE3	3520	12.4/7.19			
							Δ - /Y400	IE3	3525	- /6.99			

<sup>1)</sup> According to DIN EN ISO 11203, accuracy class of measurement: class 2, extended measurement uncertainty: 3 dB  
 39.4 inch distance, at medium load, both connection sides piped

▪ Current consumption and rotation speed may vary. Tolerance in each case -1.5/+2%



Suction air rate refers to the intake pressure  
 Reference data (atmosphere): 750 Torr, 68°F; Tolerance: ±10%

**MAKE IT BECKER.**

