

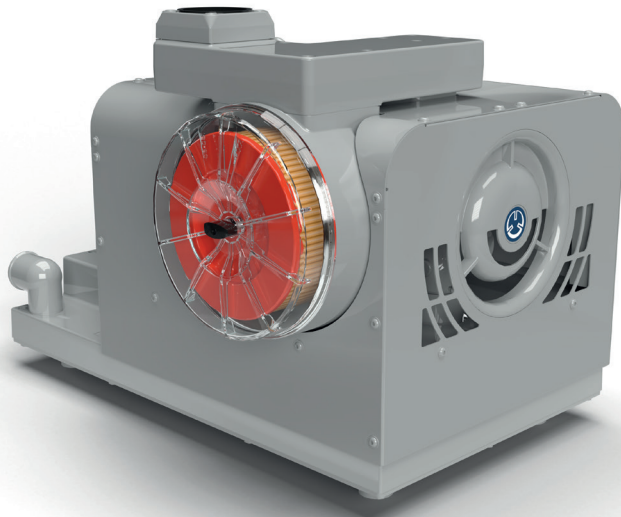
DATA SHEET

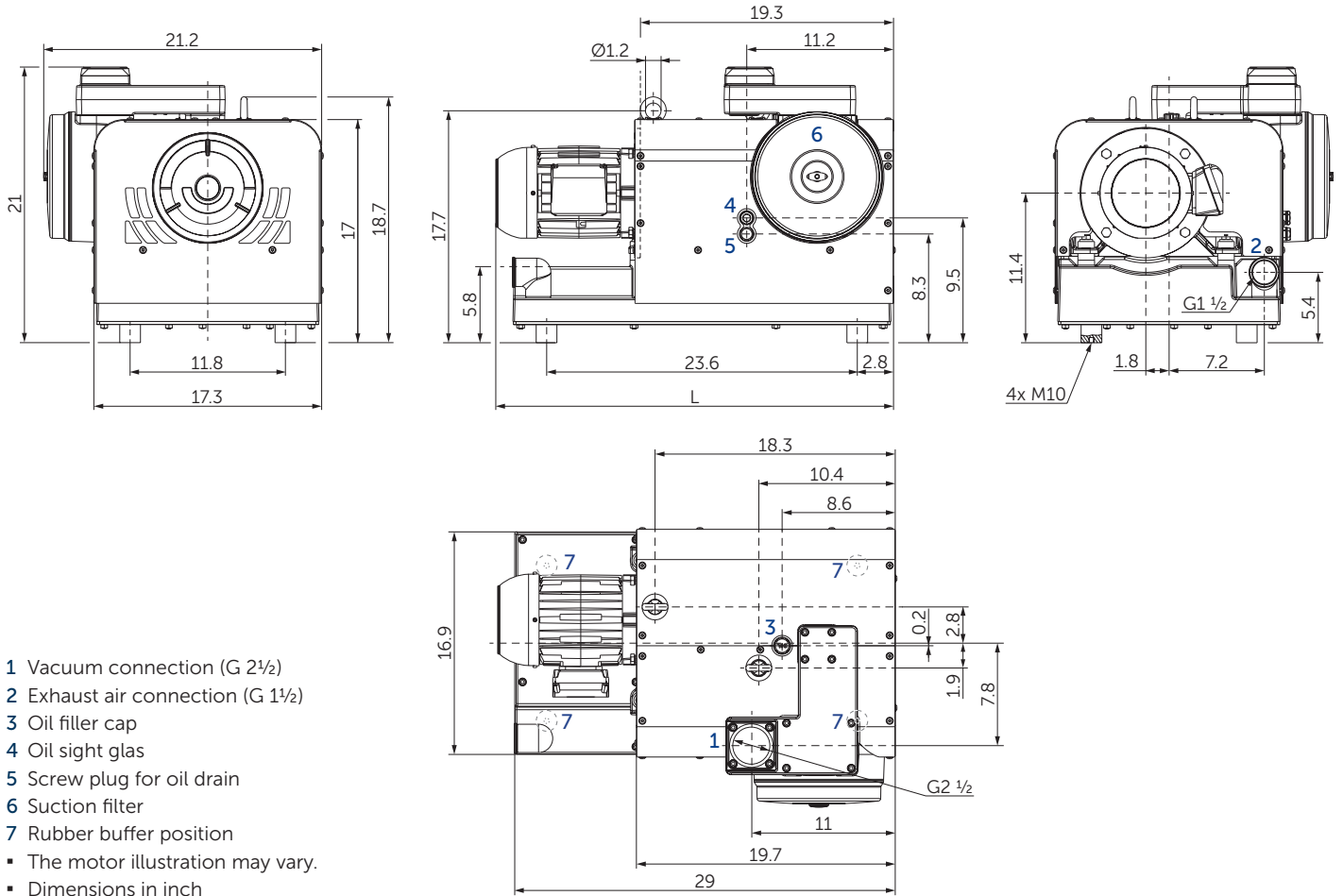
BCV 100

CLAW VACUUM PUMPS

dry and contact free compression
air-cooled

MAKE IT BECKER.



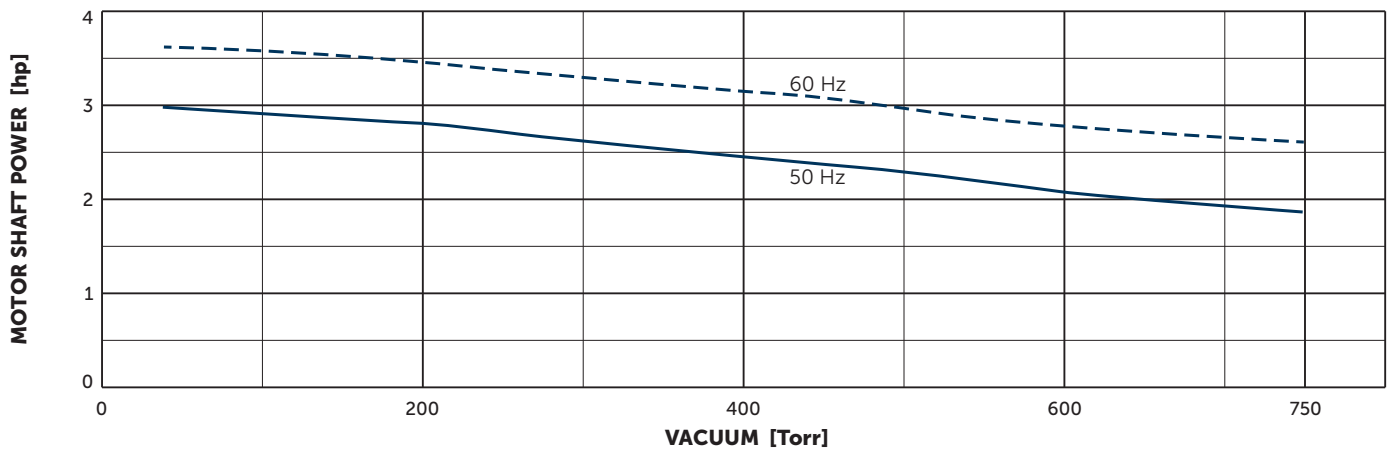
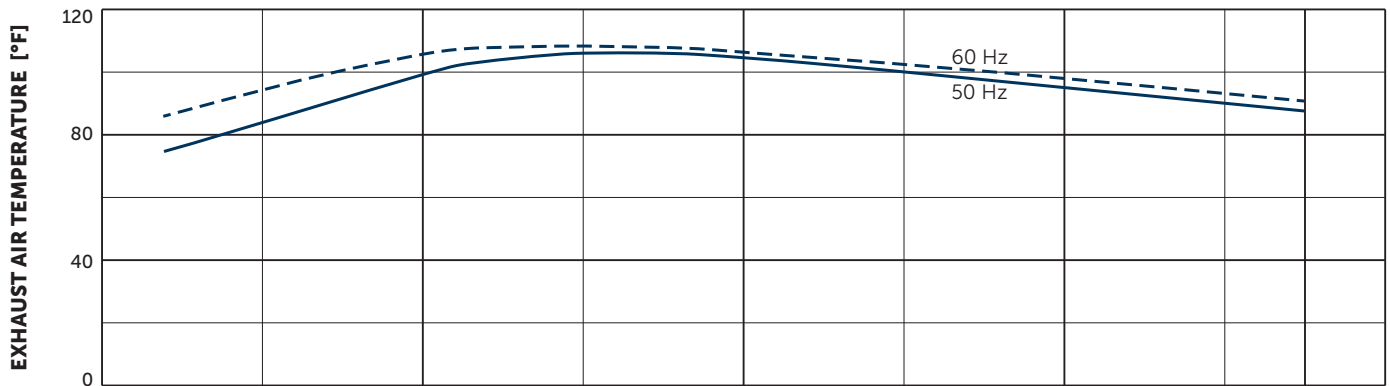
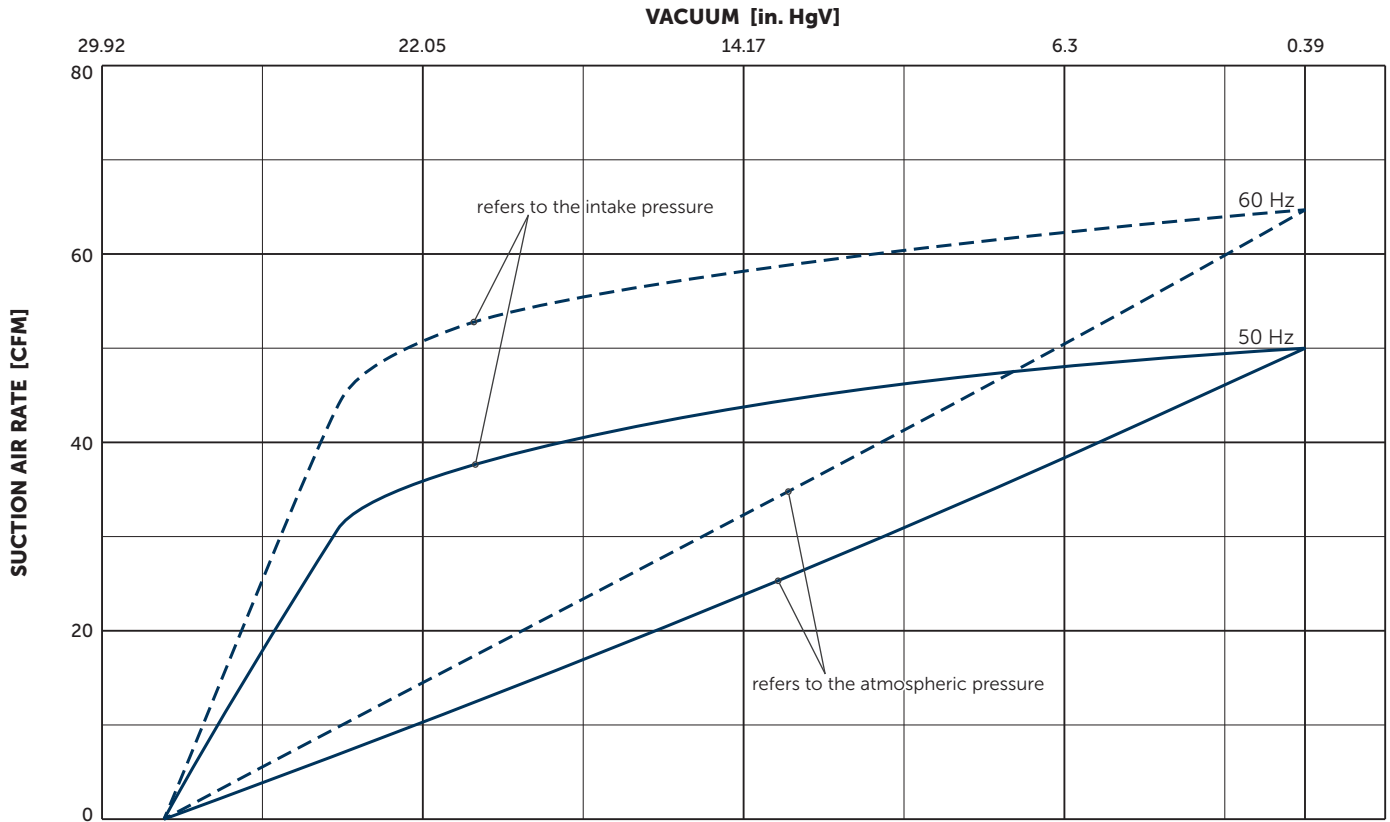


- 1 Vacuum connection (G 2½)
- 2 Exhaust air connection (G 1½)
- 3 Oil filler cap
- 4 Oil sight glass
- 5 Screw plug for oil drain
- 6 Suction filter
- 7 Rubber buffer position
- The motor illustration may vary.
- Dimensions in inch

| Nominal capacity | | Vacuum | | Emission sound pressure level ¹⁾ | | Weight without motor |
|------------------|-------|------------|------------|---|---------------|----------------------|
| CFM | | Torr | in. HgV | dB(A) | | lbs |
| 50 Hz | 60 Hz | 50 & 60 Hz | 50 & 60 Hz | 50 Hz | 60 Hz | |
| 58.8 | 70.6 | 37.5 | 28.1 | 67 (450 Torr) | 71 (450 Torr) | 211.7 |

| 3~ Motors | | | | | | | | | | | | | |
|-----------|-------|-----------|-----|------|-----------|-----|------------|-----|---------|---------------|--|------|------|
| # | 50 Hz | | | | 60 Hz | | | | Version | Weight lbs | L inch | | |
| | hp | V | rpm | A | hp | V | rpm | A | | | | | |
| 01 | 3.0 | Δ220/Y380 | IE3 | 2850 | 7.82/4.52 | 3.0 | Δ - /Y460 | IE3 | 3490 | - /3.89 | UL(E104590) • CSA • CC029A IP55 • ISO F • PTC | 55.1 | 30.3 |
| | | Δ230/Y400 | IE3 | 2870 | 7.71/4.43 | | | | | | | | |
| 02 | 4.0 | Δ230/Y400 | IE3 | 2910 | 10.0/5.77 | 4.0 | YY230/Y460 | IE3 | 3525 | 10.0/5.01 | UL(E104590) • CSA • CC029A IP55 • ISO F • PTC | 81.6 | 31.7 |
| | | | | | | | | | | | | | |
| 03 | 4.0 | Δ290/Y500 | IE3 | 2915 | 7.96/4.61 | 4.0 | Δ332/Y575 | IE3 | 3525 | 6.94/4.0 | UL(E104590) • CSA • CC029A IP55 • ISO F • PTC | 77.2 | 31.7 |
| 04 | 3.0 | Δ200/Y346 | IE3 | 2905 | 9.48/5.48 | 3.6 | Δ200/Y346 | IE3 | 3455 | 10.2/5.92 | UL(E104590) • CSA • CC029A IP55 • ISO F • PTC | 63.9 | 31.5 |
| | | | | | | | Δ220/Y380 | IE3 | 3480 | 9.65/5.59 | | | |
| | | | | | | | Δ - /Y400 | IE3 | 3490 | - /5.51 | | | |

¹⁾ According to DIN EN ISO 11203, accuracy class of measurement: class 2, extended measurement uncertainty: 3 dB
 39.4 inch distance, at medium load, both connection sides piped
 ▪ Current consumption and rotation speed may vary. Tolerance in each case -1.5/+2%



Suction air rate refers to the intake pressure
 Reference data (atmosphere): 750 Torr, 68°F; Tolerance: ±10%



MAKE IT BECKER.

