

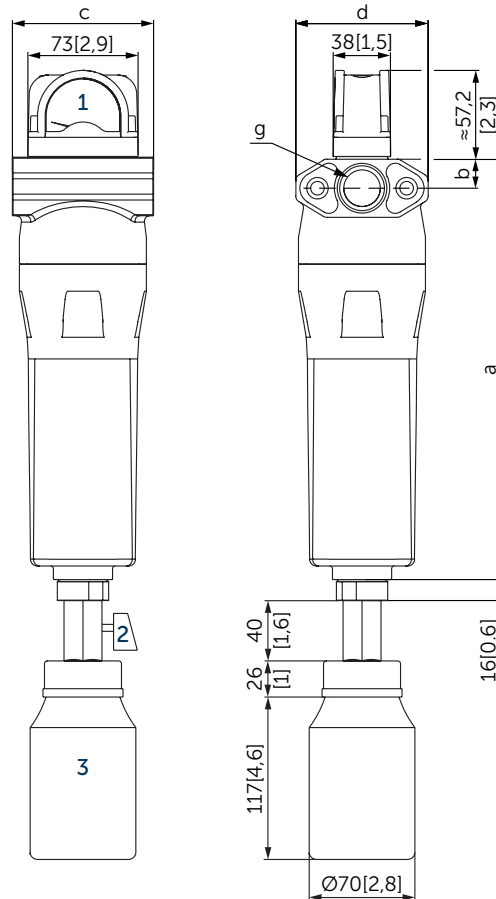
DATENBLATT

FM 3

MEDIZINFILTER

MAKE IT BECKER.





- 1 Inkl. Differenzdruckanzeiger und integrierter Sperrmembran für erhöhten Kontaminationsschutz
- 2 Inkl. Kugelhahn (97220246000)
- 3 Inkl. Sekretauffangglas (93130010000, 250ml)
- Abmessungen in mm [Zoll]

| | m ³ /h | | | g | mm [Zoll] | | | | Bestellnummer |
|---------------------|-------------------|-----------|-----------|-----|------------|----------|-----------|-----------|---------------|
| | 1000 mbar | -667 mbar | -917 mbar | | a | b | c | d | |
| FM 3-79 DPM | 15 | 4,5 | 1,5 | ½" | 234 [9,2] | 18 [0,7] | 80 [3,2] | 75 [3] | 74007007903 |
| FM 3-83 DPM | 15 | 4,5 | 1,5 | ¾" | 328 [12,9] | 23 [0,9] | 104 [4,1] | 98 [3,9] | 74007008303 |
| FM 3-93 DPM | 28 | 8,4 | 2,8 | ¾" | 328 [12,9] | 23 [0,9] | 104 [4,1] | 98 [3,9] | 74007009303 |
| FM 3-113 DPM | 50 | 15 | 5 | 1" | 612 [24,1] | 34 [1,3] | 154 [6,1] | 150 [5,9] | 74007011303 |
| FM 3-129 DPM | 75 | 22,5 | 7,5 | 1¼" | 612 [24,1] | 34 [1,3] | 154 [6,1] | 150 [5,9] | 74007012903 |
| FM 3-133 DPM | 90 | 27 | 9 | 1½" | 612 [24,1] | 34 [1,3] | 154 [6,1] | 150 [5,9] | 74007013303 |
| FM 3-143 DPM | 140 | 42 | 14 | 2" | 744 [29,3] | 45 [1,8] | 196 [7,7] | 195 [7,7] | 74007014303 |
| FM 3-163 DPM | 170 | 51 | 17 | 2" | 744 [29,3] | 45 [1,8] | 196 [7,7] | 195 [7,7] | 74007016303 |
| FM 3-173 DPM | 200 | 60 | 20 | 2½" | 732 [28,8] | 56 [2,2] | 215 [8,5] | 210 [8,3] | 74007017303 |

| Ersatzpatronen | | | | | |
|---------------------|---------------|------------------------|---------------|----------------------|---------------|
| für FM 3 | Bestellnummer | für FM 2 ¹⁾ | Bestellnummer | für FM ¹⁾ | Bestellnummer |
| FM 3-79 DPM | 90951007903 | FM 2-70 DPM | 90951007001 | FM 25 (DPM) | 90951005000 |
| FM 3-83 DPM | 90951007903 | FM 2-80 DPM | 90951007001 | FM 50 (DPM) | 90951005000 |
| FM 3-93 DPM | 90951009303 | FM 2-90 DPM | 90951009001 | FM 70 (DPM) | 90951007000 |
| FM 3-113 DPM | 90951011303 | FM 2-110 DPM | 90951011001 | FM 90 (DPM) | 90951009000 |
| FM 3-129 DPM | 90951013303 | FM 2-120 DPM | 90951013001 | FM 110 (DPM) | 90951011000 |
| FM 3-133 DPM | 90951013303 | FM 2-130 DPM | 90951013001 | FM 120 (DPM) | 90951013000 |
| FM 3-143 DPM | 90951014303 | FM 2-140 DPM | 90951014001 | FM 130 (DPM) | 90951013000 |
| FM 3-163 DPM | 90951016303 | FM 2-160 DPM | 90951016001 | FM 140 (DPM) | 90951014000 |
| FM 3-173 DPM | 90951017303 | FM 2-170 DPM | 90951017001 | FM 160 (DPM) | 90951016000 |
| | | | | FM 170 (DPM) | 90951017000 |

¹⁾ Für FM und FM 2 Filter sind keine Gehäuse mehr lieferbar!
 • Bakterienfiltration 0,0001%, Abscheidegrad (nominal) 99,9% @ 1 µm
 • max. Betriebstemperatur 50°C
 • Lackierung in RAL 9003 (weiß)



MAKE IT BECKER.