

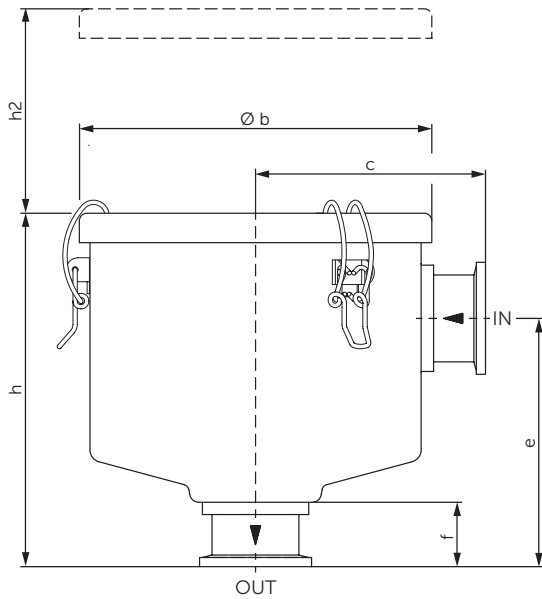
DATA SHEET

CSL

VACUUM-TIGHT FILTERS

MAKE IT BECKER.





	IN/OUT (ISO flange)	mm [inch]					
		Øb	c	e	f	h	h2 ¹⁾
CSL 34/3-N	NW 25	146 [5.8]	86 [3.4]	66 [2.6]	22 [0.9]	111 [4.4]	100 [3.9]
CSL 73/3-N CSL 136/2-N	NW 40	187 [7.4]	118 [4.6]	127 [5.0]	32 [1.3]	182 [7.2]	150 [5.9]
CSL 173/3-K CSL 357/2-K	K 63	222 [8.7]	155 [6.1]	165 [6.5]	57 [2.2]	296 [11.7]	239 [9.4]
CSL 408/3-K CSL 510/2-K	K 100	337 [13.3]	222 [8.7]	218 [8.6]	71 [2.8]	400 [15.8]	270 [10.6]

¹⁾ space for removing filter cartridge (removal height)

		Nominal flow rate @ Δp 19 mbar	Filtration efficiency nominally	Filter surface	Weight	Order no.	Replacement cartridge
		m ³ /h		m ²	kg (±25%)	Filter complete	
CSL 34/3-N	HEPA H13	34	99.97% at 0.3 μm	0.16	1	74004416000	90954411000
CSL 73/3-N	HEPA H13	73	99.97% at 0.3 μm	0.41	2	74004417000	90954417000
CSL 136/2-N	POLYESTER	136	99% at 5.0 μm	0.19	2	74004410000	90956600000
CSL 173/3-K	HEPA H13	173	99.97% at 0.3 μm	1.30	7	74004415000	74000812000
CSL 357/2-K	POLYESTER	357	99% at 5.0 μm	0.40	7	74004409000	90956700000
CSL 408/3-K	HEPA H13	408	99.97% at 0.3 μm	2.79	10	74004414000	90954402000
CSL 510/2-K	POLYESTER	510	99% at 5.0 μm	1.10	10	74004413000	90954401000

- leak rate: 1x10⁻⁵ mbar l/sec, measured according to US standard ASTM E498
- intake air temperature: -26°C ... +104°C
- filter exchange at pressure difference of 37–50 mbar over initial Δp

MAKE IT BECKER.