

ST 688 • ST 613 • ST 624

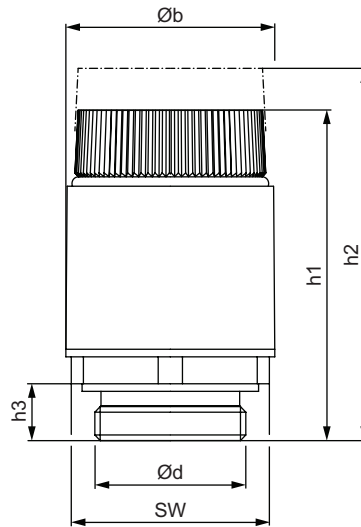
Vacuum and pressure regulating valves
 • for rotary vane pumps, oil-free

Vakuum- und Druckregulierventile
 • für Drehschieber-Pumpen, trockenlaufend

Vannes de régulation du vide et de la pression
 • pour pompes à palettes, fonctionnant à sec

Valvole regolatrici di vuoto e pressione
 • per pompe a palette, funzionanti a secco

Válvulas reguladoras de vacío y presión
 • para bombas a paletas, sin aceite



		[bar] relative	Ød	[mm]				[kg]	Use Verwendung Utilisation Utilizzo Uso	Order no. Bestell-Nr. Référence Codice d'ord N.º de pedido		
				Øb	h1	h2	h3	SW				
Vacuum Vakuum Vide Vuoto Vacío	ST 688	ST 688-0-1	0 ... -0.85	3/8"	23	53	60	8	19	0.04	VT 4.4 - 4.8	73600099688
		ST 688-0-2	0 ... -0.45	3/8"	23	53	60	8	19	0.04	VT 4.2	73600299688
	ST 613	ST 613-0-1	0 ... -0.6	1"	46	67.5	79	14	41	0.22	T / X 4.25 DSK + 4.40 DSK	73600099613
		ST 613-0-2	0 ... -0.95	1"	46	67.5	79	14	41	0.22	VT / VX 4.10 - 4.40	73600199613
		ST 613-0-3	0 ... -0.5	1"	46	67.5	79	14	41	0.22	T / X 4.10 DV + 4.16 DV	73600299613
	ST 624	ST 624-0-1	0 ... -0.6	1 1/4"	58	87	103	15	55	0.38	DVT / DVX 3.60 - 3.140	73600099624
		ST 624-0-2	0 ... -0.95	1 1/4"	58	87	103	15	55	0.38	KVT / KVX 3.60 - 3.140	73600199624
ST 624-0-3		0 ... -0.3	1 1/4"	58	87	103	15	55	0.38	KVT / KVX / DVT / DVX 3.60 - 3.140	73600299624	
Pressure Druck Pression Pressione Presión	ST 687	ST 687-0-1	0 ... +1.0	3/8"	23	53	60	8	19	0.04	DT 4.4 + 4.8	72800099687
		ST 687-0-3	0 ... +0.6	3/8"	23	53	60	8	19	0.04	DT 4.2 + 4.6/08	72800399687
	ST 611	ST 611-0-1.1	0 ... +0.6	1"	46	67.5	79	14	41	0.25	T / X 4.10 DV, 4.16 DV, 4.25 DSK + 4.40 DSK	72800299611
		ST 611-0-2.1	0 ... +1.0	1"	46	67.5	79	14	41	0.25	DT / DX 4.10 - 4.40	72800399611
		ST 611-0-4.1	0 ... +0.6	1"	46	67.5	79	14	41	0.25	DT / DX 4.25/0-80 + 4.40/0-80	72800699611
	ST 622	ST 622-0-1	0 ... +0.6	1 1/4"	58	87	103	15	55	0.38	KDT / KDX / DVT / DVX 3.60 - 3.140	72800099622
		ST 622-0-2	0 ... +1.0	1 1/4"	58	87	103	15	55	0.38	KDT / KDX 3.60 - 3.140	72800199622
		ST 622-0-3	0 ... +2.0	1 1/4"	58	87	103	15	55	0.38	KDT / KDX 3.60 - 3.140	72800299622

• Dimensions in mm

Maßangaben in mm

Mesures en mm

Misure in mm

Dimensiones en mm



WWW.BECKER-INTERNATIONAL.COM

Right of modification reserved /
 Änderungen vorbehalten
 Sous réserve des modifications
 Sotto riserva di modificazioni
 Derecho a modificaciones reservado 19.02.2016