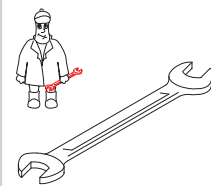




Gebr. Becker GmbH
Hölker Feld 29-31
D-42279 Wuppertal

Wartung
Maintenance
Entretien
Manutenzione
Mantenimiento



| | Pos. | Menge ¹⁾ Quantity Quantité Quantità Cantidad | Bestell-Nr. Ident No. No. Identification No. Identificazione No. de pedido | Bezeichnung Description Designation Designazione Descripción |
|------------------|------|---|--|--|
| VADS 1500 | 607 | 1 | 765302 05000 | Ölfilterpatrone, Oil filter cartridge, Cartouche filtre d'huile, Cartuccia filtro dell'olio, Cartucho de filtro de ceite |
| | 637 | 1 | 709580 00000 | Filtereinsatz, Filter insert, Filtre de rechange, Filtro di ricambio, Cartucho de filtro |
| | | 5 Ltr. | 960012 00000 | Öl, Oil, Huile, Olio, Aceite - BECKER LUBE G70 |

¹⁾ erforderliche Bestellmenge / necessary order quantity / quantité nécessaire / quantità di ordinazione necessari / cantidad necesario



Ersatzteilliste
Spare parts list
Liste de pièces de rechange
Listino pezzi di ricambio
Lista de piezas de recambio
Lista de peças sobresselentes
Reserveonderdelenlijst
Reservedelsliste
Reservdelislista

Reservedelsliste
Varaosaluettelo
Wykaz części zamiennych
Seznam náhradních dílů
Tartalékalkatrész lista
Κατάλογος ανταλλακτικών
Перечень запасных частей
备用零件目录
スペアパーツリスト

VADS 1500

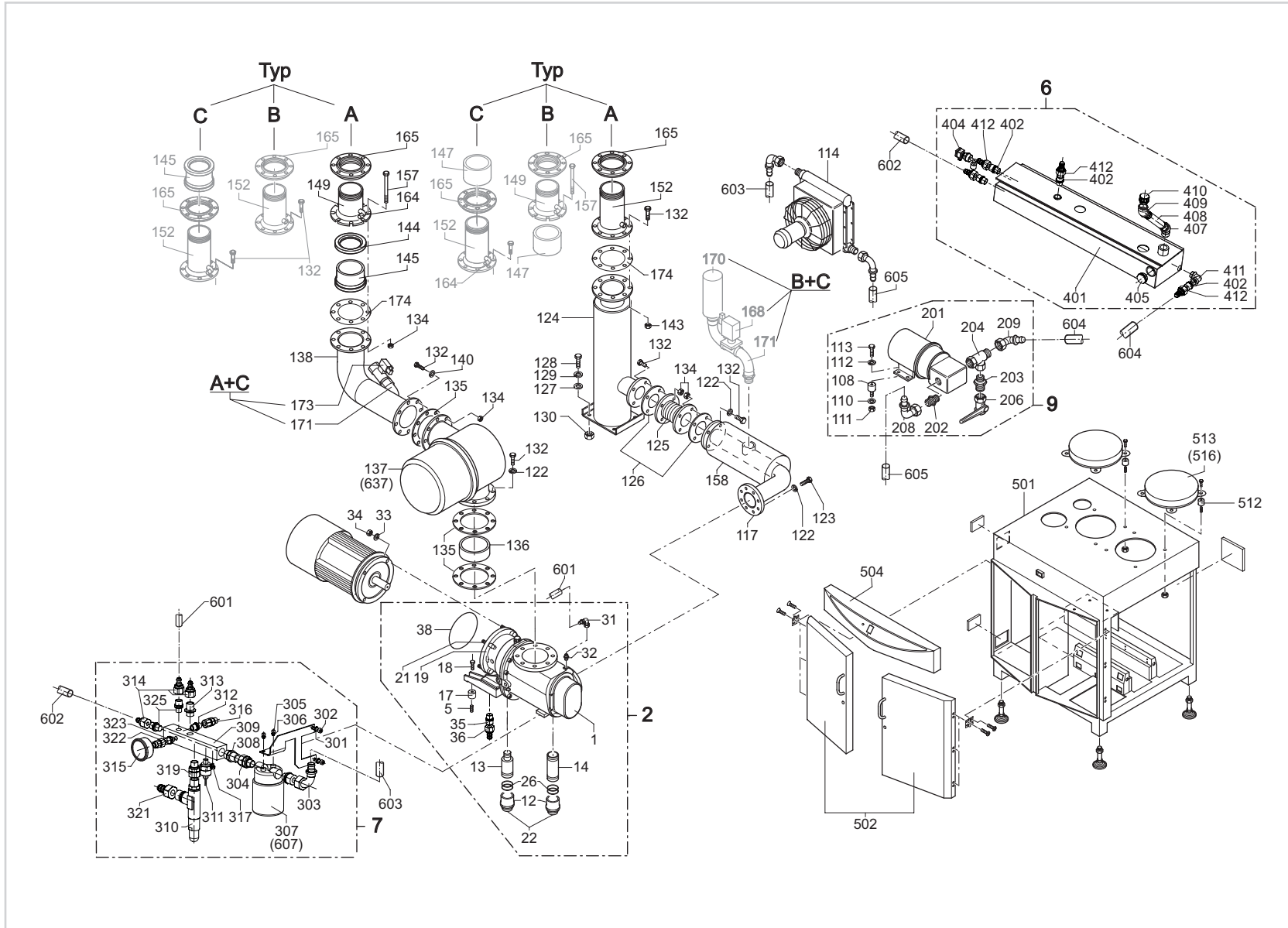
28007100000 06/2014



Index-C

| | | | | |
|-----------------------|---|---|--|------------------------------------|
| <p>SERVICE</p> | <p>D-42279 Wuppertal www.becker-international.com</p> | No. C | year <input type="text"/> | Index |
| | type VADS 1500 | frequency <input type="text"/> Hz | speed <input type="text"/> min ⁻¹ | |
| | | inlet capacity <input type="text"/> m ³ /h | pressure + <input type="text"/> mbar | vacuum - <input type="text"/> mbar |

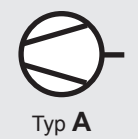




standard

VADS 1500

Vakuumpumpe
 Vacuum pump
 Pompe a vide
 Pompa per vuoto
 Bomba de vacío
 - 50 Hz
 - 60 Hz



optional
 en option
 optionale
 opcional





VADS 1500

| Pos. | Bestell Nr. | Beschreibung | |
|------|--------------|--------------------------------|--|
| 1 | 754400 31100 | SCHRAUBEN-VERDICHTER | |
| 2 | 570203 31100 | SCHRAUBEN-VERDICHTER, KOMPLETT | |
| 5 | 951022 00000 | STIFTSCHRAUBE | |
| 6 | 501603 31100 | ÖLBEHÄLTER, KOMPLETT | |
| 7 | 512217 31100 | ÖLVERTEILER, KOMPLETT | |
| 9 | 523401 31100 | ÖLPUMPE, KOMPLETT | |
| 12 | 012404 31100 | ZWISCHENSTÜCK | |
| 13 | 012405 31100 | ZWISCHENSTÜCK | |
| 14 | 012406 31100 | ZWISCHENSTÜCK | |
| 17 | 741303 00000 | GUMMI-PUFFER | |
| 18 | 945348 00000 | INNENSECKSKANTSCHRAUBE | |
| 19 | 014900 31100 | MOTORFLANSCH | |
| 21 | 951043 00000 | STIFTSCHRAUBE | |
| 22 | 025503 31100 | DICHTUNG | |
| 26 | 008000 31100 | FILTERBLECH | |
| 28 | 742602 02000 | SCHLAUCH | |
| 31 | 972401 00000 | DICHTKOPF | |
| 32 | 972307 00000 | EINSCHRAUBUNG | |
| 33 | 949455 00000 | UNTERLEGSCHLEIBE | |
| 34 | 947107 00000 | SECHSKANTMUTTER | |
| 35 | 972305 00000 | EINSCHRAUBUNG | |
| 36 | 972402 00000 | DICHTKOPF | |
| 38 | 913119 60000 | DICHTRING | |
| 108 | 741333 00000 | GUMMIPUFFER | |
| 110 | 948505 00000 | FEDERRING | |
| 111 | 947104 00000 | SECHSKANTMUTTER | |
| 112 | 947504 00000 | UNTERLEGSCHLEIBE | |
| 113 | 945222 00000 | SECHSKANTSCHRAUBE | |
| 114 | 560203 31100 | KÜHLER | |
| 117 | 512201 31100 | DRUCKLEITUNG | |
| 122 | 948511 00000 | FEDERRING | |
| 123 | 945256 00000 | SECHSKANTSCHRAUBE | |
| 124 | 770301 31100 | SCHALLDAEMPFER | |
| 125 | 763906 00000 | KOMPENSATOR | |
| 126 | 948080 00000 | DICHTRING | |
| 129 | 948512 00000 | FEDERRING | |
| 130 | 947106 00000 | SECHSKANTMUTTER | |
| 132 | 945148 00000 | SECHSKANTSCHRAUBE | |
| 134 | 947109 00000 | SECHSKANTMUTTER | |
| 135 | 948082 00000 | DICHTRING | |
| 136 | 011400 31100 | DISTANZSTÜCK | |
| 137 | 740000 31100 | LUFTFILTER, KOMPLETT | |
| 138 | 512215 31100 | LEITUNG | |
| 144 | 011407 31100 | DISTANZRING | |
| 145 | 737504 31100 | RÜCKSCHLAGVENTIL | |
| 149 | 512202 31100 | SAUGLEITUNG | |
| 152 | 512214 31100 | LEITUNG | |
| 157 | 945161 00000 | SECHSKANTSCHRAUBE | |
| 158 | 960200 31100 | ROHRSCHALE | |
| 164 | 769302 42090 | MESSUMFORMER | |
| 165 | 953320 11000 | GEWINDEFLENSCH | |
| 171 | 301300 03000 | BOGEN | |
| 173 | 767402 05000 | MAGNETVENTIL | |
| 174 | 948081 00000 | DICHTRING | |
| 201 | 923400 31100 | ÖLPUMPE | |
| 202 | 972305 00000 | EINSCHRAUBUNG | |
| 203 | 972312 00000 | EINSCHRAUBUNG | |
| 204 | 936309 00000 | T-VERSCHRAUBUNG | |
| 206 | 744301 20000 | KUGELHAHN | |
| 208 | 972400 00000 | DICHTKOPF 90° | |
| 209 | 972400 00000 | DICHTKOPF 45° | |
| 301 | 951707 00000 | FEDERSCHLEIBE | |
| 302 | 945331 00000 | INNENSECKSKANTSCHRAUBE | |



VADS 1500

| Pos. | Bestell Nr. | Beschreibung | |
|------|--------------|------------------------------------|--|
| 303 | 972400 00000 | DICHTKOPF 90° | |
| 304 | 972306 00000 | EINSCHRAUBUNG | |
| 305 | 945377 00000 | INNENSECKSKANTSCHRAUBE | |
| 306 | 951703 00000 | FEDERSCHLEIBE | |
| 307 | 909700 31100 | ÖLFILTER, KOMPLETT | |
| 308 | 972311 00000 | EINSCHRAUBUNG | |
| 309 | 016601 31100 | ANSCHLUSSSTÜCK | |
| 310 | 537505 31100 | VENTIL, KOMPLETT | |
| 311 | 972200 00000 | DRUCKSCHALTER | |
| 312 | 972300 00000 | EINSCHRAUBUNG | |
| 313 | 972302 00000 | EINSCHRAUBUNG | |
| 314 | 972403 00000 | DICHTKOPF | |
| 315 | 737417 00000 | MANOMETER | |
| 316 | 972310 00000 | EINSCHRAUBUNG | |
| 317 | 943401 20000 | TEMPERATURWÄCHTER | |
| 319 | 972309 00000 | EINSCHRAUBUNG | |
| 321 | 972402 00000 | DICHTKOPF | |
| 322 | 936308 00000 | MANOMETERVERSCHRAUBUNG | |
| 323 | 972323 00000 | EINSCHRAUBUNG | |
| 325 | 972307 00000 | EINSCHRAUBUNG | |
| 401 | 972701 31100 | ÖLWANNE | |
| 402 | 972305 00000 | EINSCHRAUBUNG | |
| 404 | 741103 99682 | NIVEAUGEBER | |
| 405 | 907308 00000 | ÖLSCHAUGLAS | |
| 407 | 305200 06000 | WINKEL 45° | |
| 408 | 303400 19000 | ROHRDOPPELNIPPEL | |
| 409 | 305300 01000 | WINKEL | |
| 410 | 954601 00000 | ENTLÜFTUNGSSCHRAUBE | |
| 412 | 972402 00000 | DICHTKOPF | |
| 501 | 767103 31100 | SCHALLHAUBE | |
| 502 | 067100 31100 | TÜR | |
| 512 | 741333 00000 | GUMMIPUFFER | |
| 513 | 722400 29100 | SCHUTZGITTER | |
| 516 | 002300 29100 | VENTILATOR | |
| 601 | | ÖLLEITUNG | |
| 602 | | ÖLLEITUNG | |
| 603 | | ÖLLEITUNG | |
| 604 | | ÖLLEITUNG | |
| 605 | | ÖLLEITUNG | |
| 607 | 765302 05000 | ÖLFILTERPATRONE (1x) ¹⁾ | |
| 637 | 709580 00000 | FILTEREINSATZ (1x) ¹⁾ | |



ÖL 960012 00000 BECKER LUBE G70 (5L)

¹⁾ erforderliche Bestellmenge / Wartung

VADS 1500 Verdichter

VADS 1500 Reservepumpe (Druck-Vakuumpumpe)

Abweichende Positionen zum Standardgerät - siehe Anhang (Zeichnungsrückseite)





VADS 1500

| Pos. | Ident No. | Description |
|------|--------------|---------------------------|
| 1 | 754400 31100 | COMPRESSOR |
| 2 | 570203 31100 | COMPRESSOR, COMPLETE |
| 5 | 951022 00000 | STUD |
| 6 | 501603 31100 | OIL SUMP, COMPLETE |
| 7 | 512217 31100 | OIL DISTRIBUTOR, COMPLETE |
| 9 | 523401 31100 | OIL PUMP, COMPLETE |
| 12 | 012404 31100 | INTERMEDIATE PIECE |
| 13 | 012405 31100 | INTERMEDIATE PIECE |
| 14 | 012406 31100 | INTERMEDIATE PIECE |
| 17 | 741303 00000 | RUBBER BUFFER |
| 18 | 945348 00000 | SOCKET HEAD SCREW |
| 19 | 014900 31100 | MOTORFLANGE |
| 21 | 951043 00000 | STUD |
| 22 | 025503 31100 | GASKET |
| 26 | 008000 31100 | METAL FILTER |
| 28 | 742602 02000 | TUBE FLEXIBLE |
| 31 | 972401 00000 | HOSE CONNECTOR |
| 32 | 972307 00000 | FITTING |
| 33 | 949455 00000 | WASHER |
| 34 | 947107 00000 | HEX.NUT |
| 35 | 972305 00000 | FITTING |
| 36 | 972402 00000 | HOSE CONNECTOR |
| 38 | 913119 60000 | SEALING RING |
| 108 | 741333 00000 | RUBBER BUFFER |
| 110 | 948505 00000 | SPRING WASHER |
| 111 | 947104 00000 | HEX.NUT |
| 112 | 947504 00000 | WASHER |
| 113 | 945222 00000 | HEX-HEAD SCREW |
| 114 | 560203 31100 | COOLER |
| 117 | 512201 31100 | PIPE |
| 122 | 948511 00000 | SPRING WASHER |
| 123 | 945256 00000 | HEX-HEAD SCREW |
| 124 | 770301 31100 | SILENCER |
| 125 | 763906 00000 | COMPENSATOR |
| 126 | 948080 00000 | SEALING RING |
| 129 | 948512 00000 | SPRING WASHER |
| 130 | 947106 00000 | HEX.NUT |
| 132 | 945148 00000 | HEX-HEAD SCREW |
| 134 | 947109 00000 | HEX.NUT |
| 135 | 948082 00000 | SEALING RING |
| 136 | 011400 31100 | SPACING COLLAR |
| 137 | 740000 31100 | FILTER |
| 138 | 512215 31100 | PIPE |
| 144 | 011407 31100 | DISTANCE WASHER |
| 145 | 737504 31100 | NON RETURN VALVE |
| 149 | 512202 31100 | PIPE |
| 152 | 512214 31100 | PIPE |
| 157 | 945161 00000 | HEX-HEAD SCREW |
| 158 | 960200 31100 | SILENCER TUBE |
| 164 | 769302 42090 | TRANSFORMER |
| 165 | 953320 11000 | FLANGE |
| 171 | 301300 03000 | BEND |
| 173 | 767402 05000 | MAGNETIC VALVE |
| 174 | 948081 00000 | SEALING RING |
| 201 | 923400 31100 | OIL PUMP |
| 202 | 972305 00000 | FITTING |
| 203 | 972312 00000 | FITTING |
| 204 | 936309 00000 | T-PIECE |
| 206 | 744301 20000 | STOP-COCK |
| 208 | 972400 00000 | HOSE CONNECTOR 90° |
| 209 | 972400 00000 | HOSE CONNECTOR 45° |
| 301 | 951707 00000 | SPRING DISC |
| 302 | 945331 00000 | SOCKET HEAD SCREW |



VADS 1500

| Pos. | Ident No. | Description |
|------|--------------|--|
| 303 | 972400 00000 | HOSE CONNECTOR |
| 304 | 972306 00000 | FITTING |
| 305 | 945377 00000 | SOCKET HEAD SCREW |
| 306 | 951703 00000 | SPRING DISC |
| 307 | 909700 31100 | OIL FILTER CAP |
| 308 | 972311 00000 | FITTING |
| 309 | 016601 31100 | CONNECTING PIECE |
| 310 | 537505 31100 | VALVE, COMPLETE |
| 311 | 972200 00000 | PRESSURE SWITCH |
| 312 | 972300 00000 | FITTING |
| 313 | 972302 00000 | FITTING |
| 314 | 972403 00000 | HOSE CONNECTOR |
| 315 | 737417 00000 | MANOMETER |
| 316 | 972310 00000 | FITTING |
| 317 | 943401 20000 | TEMPERATURE CONTROLLER |
| 319 | 972309 00000 | FITTING |
| 321 | 972402 00000 | HOSE CONNECTOR |
| 322 | 936308 00000 | MANOMETER CONNECTION |
| 323 | 972323 00000 | FITTING |
| 325 | 972307 00000 | FITTING |
| 401 | 972701 31100 | OIL SUMP |
| 402 | 972305 00000 | FITTING |
| 404 | 741103 99682 | OIL LEVEL CONTROL SWITCH |
| 405 | 907308 00000 | OIL SIGHT GLASS |
| 407 | 305200 06000 | ANGLE CONNECTION |
| 408 | 303400 19000 | HEXAGON NIPPLES |
| 409 | 305300 01000 | ANGLE CONNECTION |
| 410 | 954601 00000 | SCREW |
| 412 | 972402 00000 | HOSE CONNECTOR |
| 501 | 767103 31100 | SOUND PROOF BOX |
| 502 | 067100 31100 | DOOR |
| 512 | 741333 00000 | RUBBER BUFFER |
| 513 | 722400 29100 | PROTECTIVE SHEET |
| 516 | 002300 29100 | COOLING FAN |
| 601 | | OIL PRESSURE PIPE |
| 602 | | OIL PRESSURE PIPE |
| 603 | | OIL PRESSURE PIPE |
| 604 | | OIL PRESSURE PIPE |
| 605 | | OIL PRESSURE PIPE |
| 607 | 765302 05000 | OIL FILTER CARTRIDGE (1x) ¹⁾ |
| 637 | 709580 00000 | FILTER INSERT (1x) ¹⁾ |



OIL 960012 00000 BECKER LUBE G70 (5L)

¹⁾ necessary order quantity / maintenance

VADS 1500 Compressor

VADS 1500 Stand-by-pump (Pressure/vacuum pump)

Items different from standard appliance see appendix (back of drawing)





VADS 1500

| Pos. | No. Identification | Designation |
|------|--------------------|----------------------------|
| 1 | 754400 31100 | COMPRESSEUR |
| 2 | 570203 31100 | COMPRESSEUR, COMPLET |
| 5 | 951022 00000 | PRISONNIER |
| 6 | 501603 31100 | RESERVOIR D'HUILE, COMPLET |
| 7 | 512217 31100 | HUILE REPARTITION, COMPLET |
| 9 | 523401 31100 | POMPE A HUILE, COMPLET |
| 12 | 012404 31100 | BRIDE |
| 13 | 012405 31100 | BRIDE |
| 14 | 012406 31100 | BRIDE |
| 17 | 741303 00000 | AMORTISSEUR EN CAOUTCHOUC |
| 18 | 945348 00000 | VIS HEXAGONALE INTERNE |
| 19 | 014900 31100 | BRIDE MOTEUR |
| 21 | 951043 00000 | PRISONNIER |
| 22 | 025503 31100 | JOINT |
| 26 | 008000 31100 | FILTRE METALLIQUE |
| 28 | 742602 02000 | TUBE FLEXIBLE |
| 31 | 972401 00000 | CONNEXION TUYAU |
| 32 | 972307 00000 | RACCORD |
| 33 | 949455 00000 | RONDELLE |
| 34 | 947107 00000 | ECROU A 6PANS |
| 35 | 972305 00000 | RACCORD |
| 36 | 972402 00000 | CONNEXION TUYAU |
| 38 | 913119 60000 | JOINT |
| 108 | 741333 00000 | AMORTISSEUR EN CAOUTCHOUC |
| 110 | 948505 00000 | ANNEAU-RESSORT |
| 111 | 947104 00000 | ECROU A 6PANS |
| 112 | 947504 00000 | RONDELLE |
| 113 | 945222 00000 | VIS HEXAGONALE |
| 114 | 560203 31100 | REFROIDISSEUR |
| 117 | 512201 31100 | TUYAU |
| 122 | 948511 00000 | ANNEAU-RESSORT |
| 123 | 945256 00000 | VIS HEXAGONALE |
| 124 | 770301 31100 | SILENCIEUX |
| 125 | 763906 00000 | COMPENSATEUR |
| 126 | 948080 00000 | JOINT |
| 129 | 948512 00000 | ANNEAU RESSORT |
| 130 | 947106 00000 | ECROU A 6 PANS |
| 132 | 945148 00000 | VIS HEXAGONALE |
| 134 | 947109 00000 | ECROU A 6PANS |
| 135 | 948082 00000 | JOINT |
| 136 | 011400 31100 | DONILLE D'ECARMENT |
| 137 | 740000 31100 | FILTRE |
| 138 | 512215 31100 | TUYAU |
| 144 | 011407 31100 | PLAQUE D'ESPACEMENT |
| 145 | 737504 31100 | SOUPAPE ANTI-RETOUR |
| 149 | 512202 31100 | TUYAU |
| 152 | 512214 31100 | TUYAU |
| 157 | 945161 00000 | VIS HEXAGONALE |
| 158 | 960200 31100 | TUBE SILENCIEUX |
| 164 | 769302 42090 | TRANSFORMATEUR |
| 165 | 953320 11000 | BRIDE DE RACCORDEMENT |
| 171 | 301300 03000 | COURBE R |
| 173 | 767402 05000 | SOUPAPE MAGNETIQUE |
| 174 | 948081 00000 | JOINT |
| 201 | 923400 31100 | POMPE A HUILE |
| 202 | 972305 00000 | RACCORD |
| 203 | 972312 00000 | RACCORD |
| 204 | 936309 00000 | T-PIECE |
| 206 | 744301 20000 | ROBINET |
| 208 | 972400 00000 | CONNEXION TUYAU 90° |
| 209 | 972400 00000 | CONNEXION TUYAU 45° |
| 301 | 951707 00000 | DISQUE DE RESSORT |
| 302 | 945331 00000 | VIS HEXAGONALE INTERNE |



VADS 1500

| Pos. | No. Identification | Designation |
|------|--------------------|--|
| 303 | 972400 00000 | CONNEXION TUYAU |
| 304 | 972306 00000 | RACCORD |
| 305 | 945377 00000 | VIS HEXAGONALE INTERNE |
| 306 | 951703 00000 | DISQUE DE RESSORT |
| 307 | 909700 31100 | COURVERCLE POUR L'ENTREE D'HUILE |
| 308 | 972311 00000 | RACCORD |
| 309 | 016601 31100 | PIECE DE RACCORD |
| 310 | 537505 31100 | SOUPAPE, COMPLET |
| 311 | 972200 00000 | INTERRUPTEUR DE PRESSION |
| 312 | 972300 00000 | RACCORD |
| 313 | 972302 00000 | RACCORD |
| 314 | 972403 00000 | CONNEXION TUYAU |
| 315 | 737417 00000 | MANOMETRE |
| 316 | 972310 00000 | RACCORD |
| 317 | 943401 20000 | CONTROLEUR DE TEMPERATURE |
| 319 | 972309 00000 | RACCORD |
| 321 | 972402 00000 | CONNEXION TUYAU |
| 322 | 936308 00000 | CONNEXION MANOMETRE |
| 323 | 972323 00000 | RACCORD |
| 325 | 972307 00000 | RACCORD |
| 401 | 972701 31100 | RESERVOIR D'HUILE |
| 402 | 972305 00000 | RACCORD |
| 404 | 741103 99682 | INDICATEUR DE NIVEAU |
| 405 | 907308 00000 | VERRE REGARD |
| 407 | 305200 06000 | RACCORD A VIS COUDE |
| 408 | 303400 19000 | MAMELONS |
| 409 | 305300 01000 | RACCORD A VIS COUDE |
| 410 | 954601 00000 | VIS |
| 412 | 972402 00000 | CONNEXION TUYAU |
| 501 | 767103 31100 | CAISSE D INORISATION |
| 502 | 067100 31100 | PORTA |
| 512 | 741333 00000 | AMORTISSEUR EN CAOUTCHOUC |
| 513 | 722400 29100 | TOLE DE PROTECTION |
| 516 | 002300 29100 | VENTILATEUR |
| 601 | | TUYAU D'HUILE |
| 602 | | TUYAU D'HUILE |
| 603 | | TUYAU D'HUILE |
| 604 | | TUYAU D'HUILE |
| 605 | | TUYAU D'HUILE |
| 607 | 765302 05000 | CARTOUCHE FITRE D'HUILE (1x) ¹⁾ |
| 637 | 709580 00000 | FILTRE DE RECHANGE (1x) ¹⁾ |



HUILE 960012 00000 BECKER LUBE G70 (5L)

¹⁾ quantité nécessaire / entretien

VADS 1500 Compresseur

VADS 1500 Pompe de réserve (Pompe combinée)

Articles divergents vis-à-vis de l'appareil standard, voir annexe (dos du dessin / du plan)



VADS 1500

| Pos. | No. Identificazione | Designazione |
|------|---------------------|-----------------------------|
| 1 | 754400 31100 | COMPRESSORE |
| 2 | 570203 31100 | COMPRESSORE, COMPLETO |
| 5 | 951022 00000 | L'ASTA A VITE |
| 6 | 501603 31100 | SERBATOIO OLIO, COMPLETO |
| 7 | 512217 31100 | OLIO RIPARTIZIONE, COMPLETO |
| 9 | 523401 31100 | POMPA OLIO, COMPLETO |
| 12 | 012404 31100 | FLANGE |
| 13 | 012405 31100 | FLANGE |
| 14 | 012406 31100 | FLANGE |
| 17 | 741303 00000 | AMMORTIZZATORE IN GOMMA |
| 18 | 945348 00000 | VITE ESAGONALE INTERNA |
| 19 | 014900 31100 | FLANGIA MOTORE |
| 21 | 951043 00000 | L'ASTA A VITE |
| 22 | 025503 31100 | GUARNIZIONE |
| 26 | 008000 31100 | FILTRO METALLICO |
| 28 | 742602 02000 | TUBO FLESSIBILE |
| 31 | 972401 00000 | ADATTARE TUBO |
| 32 | 972307 00000 | BOCCETTONE |
| 33 | 949455 00000 | RONDELLA |
| 34 | 947107 00000 | DADO ESAGONALE |
| 35 | 972305 00000 | ADATTARE |
| 36 | 972402 00000 | ADATTARE TUBO |
| 38 | 913119 60000 | ANELLO GUARNIZIONE |
| 108 | 741333 00000 | AMMORTIZZATORE IN GOMMA |
| 110 | 948505 00000 | ANELLO A MOLLA |
| 111 | 947104 00000 | DADO ESAGONALE |
| 112 | 947504 00000 | RONDELLA |
| 113 | 945222 00000 | VITE ESAGONALE |
| 114 | 560203 31100 | RAFFREDDATORE |
| 117 | 512201 31100 | CONDOTTO |
| 122 | 948511 00000 | ANELLO A MOLLA |
| 123 | 945256 00000 | VITE ESAGONALE |
| 124 | 770301 31100 | SILENZIATORE |
| 125 | 763906 00000 | COMPENSATORE |
| 126 | 948080 00000 | ANELLO GUARNIZIONE |
| 129 | 948512 00000 | ANELLO A MOLLA |
| 130 | 947106 00000 | DADO ESAGONALE |
| 132 | 945148 00000 | VITE ESAGONALE |
| 134 | 947109 00000 | DADO ESAGONALE |
| 135 | 948082 00000 | ANELLO GUARNIZIONE |
| 136 | 011400 31100 | BOCCOLA DISTANZIATRICE |
| 137 | 740000 31100 | FILTRO |
| 138 | 512215 31100 | CONDOTTO |
| 144 | 011407 31100 | DISCO A DISTANZA |
| 145 | 737504 31100 | VALVOLA NON RITORNO |
| 149 | 512202 31100 | CONDOTTO |
| 152 | 512214 31100 | CONDOTTO |
| 157 | 945161 00000 | VITE ESAGONALE |
| 158 | 960200 31100 | TUBO SILENZIATORE |
| 164 | 769302 42090 | TRANSFORMATORE |
| 165 | 953320 11000 | FLANGIA DI RACCORDE |
| 171 | 301300 03000 | CURVA |
| 173 | 767402 05000 | VALVOLA MAGNETICA |
| 174 | 948081 00000 | ANELLO GUARNIZIONE |
| 201 | 923400 31100 | POMPA OLIO |
| 202 | 972305 00000 | ADATTARE |
| 203 | 972312 00000 | ADATTARE |
| 204 | 936309 00000 | PEZZO A T |
| 206 | 744301 20000 | RUBINETTO |
| 208 | 972400 00000 | ADATTARE TUBO 90° |
| 209 | 972400 00000 | ADATTARE TUBO 45° |
| 301 | 951707 00000 | DISCO A MOLLA |
| 302 | 945331 00000 | VITE ESAGONALE INTERNA |



VADS 1500

| Pos. | No. Identificazione | Designazione |
|------|---------------------|---|
| 303 | 972400 00000 | ADATTARE TUBO |
| 304 | 972306 00000 | ADATTARE |
| 305 | 945377 00000 | VITE ESAGONALE INTERNA |
| 306 | 951703 00000 | DISCO A MOLLA |
| 307 | 909700 31100 | COPERCHIO RIEMPIMENTO OLIO |
| 308 | 972311 00000 | ADATTARE |
| 309 | 016601 31100 | PEZZO DI RACCORDO |
| 310 | 537505 31100 | VALVOLA, COMPLETO |
| 311 | 972200 00000 | INTERRUTTORE DELLA PRESSIONE |
| 312 | 972300 00000 | ADATTARE |
| 313 | 972302 00000 | ADATTARE |
| 314 | 972403 00000 | ADATTARE TUBO |
| 315 | 737417 00000 | MANOMETRO |
| 316 | 972310 00000 | ADATTARE |
| 317 | 943401 20000 | CONTROLORE DELLA TEMPERATURA |
| 319 | 972309 00000 | ADATTARE |
| 321 | 972402 00000 | ADATTARE TUBO |
| 322 | 936308 00000 | COLLEGAMENTO DEL MANOMETRO |
| 323 | 972323 00000 | ADATTARE |
| 325 | 972307 00000 | ADATTARE |
| 401 | 972701 31100 | SERBATOIO OLIO |
| 402 | 972305 00000 | ADATTARE |
| 404 | 741103 99682 | SONDA D OLIO |
| 405 | 907308 00000 | SPIA LIVELLO OLIO |
| 407 | 305200 06000 | RACCORDO VITE A GOMIZO |
| 408 | 303400 19000 | RACCORDO |
| 409 | 305300 01000 | RACCORDO VITE A GOMIZO |
| 410 | 954601 00000 | VITE |
| 412 | 972402 00000 | ADATTARE TUBO |
| 501 | 767103 31100 | CARCASSA ISOLAMENTO ACUSTICO |
| 502 | 067100 31100 | PORTA |
| 512 | 741333 00000 | AMMORTIZZATORE IN GOMMA |
| 513 | 722400 29100 | GRIGLIA DI PROTEZIONE |
| 516 | 002300 29100 | VENTILATORE |
| 601 | | CONDOTTO OLIO |
| 602 | | CONDOTTO OLIO |
| 603 | | CONDOTTO OLIO |
| 604 | | CONDOTTO OLIO |
| 605 | | CONDOTTO OLIO |
| 607 | 765302 05000 | CARTUCCIA FILTRO DELL' OLIO (1x) ¹⁾ |
| 637 | 709580 00000 | FILTRO DI RICAMBIO (1x) ¹⁾ |



OLIO 960012 00000 BECKER LUBE G70 (5L)

¹⁾ quantità di ordinazione necessari / manutenzione

VADS 1500 Compressore
VADS 1500 Pompa di riserva (Pompa combinate)

Vedere allegato (retro del disegno) per le posizioni divergenti dall'apparecchio standard



VADS 1500

| Pos. | No. De pedido | Descripción | |
|------|---------------|---------------------------------------|--|
| 1 | 754400 31100 | ARMARIO DE COMPRESOR | |
| 2 | 570203 31100 | ARMARIO DE COMPRESOR, COMPLETO | |
| 5 | 951022 00000 | ESPÁRRAGO | |
| 6 | 501603 31100 | RECIPIENTE DE ACEITE, COMPLETO | |
| 7 | 512217 31100 | DISTRIBUIDOR DE ACEITE, COMPLETO | |
| 9 | 523401 31100 | BOMBA DE ACEITE, COMPLETO | |
| 12 | 012404 31100 | PIEZA INTERMEDIA | |
| 13 | 012405 31100 | PIEZA INTERMEDIA | |
| 14 | 012406 31100 | PIEZA INTERMEDIA | |
| 17 | 741303 00000 | AMORTIGUADOR DE INTERIOR | |
| 18 | 945348 00000 | TORNILLO DE CABEZA INTERIOR HEXAGONAL | |
| 19 | 014900 31100 | BRIDA DE MOTOR | |
| 21 | 951043 00000 | ESPÁRRAGO | |
| 22 | 025503 31100 | JUNTA | |
| 26 | 008000 31100 | CHAPA DE FILTRO | |
| 28 | 742602 02000 | MANGUERA | |
| 31 | 972401 00000 | CABEZAL DE EMPAQUETADURA | |
| 32 | 972307 00000 | ATORNILLADURA | |
| 33 | 949455 00000 | ARANDELA | |
| 34 | 947107 00000 | TUERCA HEXAGONAL | |
| 35 | 972305 00000 | ATORNILLADURA | |
| 36 | 972402 00000 | CABEZAL DE EMPAQUETADURA | |
| 38 | 913119 60000 | ANILLO DE JUNTA | |
| 108 | 741333 00000 | AMORTIGUADOR DE GOMA | |
| 110 | 948505 00000 | ARANDELA DE MUELLE | |
| 111 | 947104 00000 | TUERCA HEXAGONAL | |
| 112 | 947504 00000 | ARANDELA | |
| 113 | 945222 00000 | TORNILLO DE CABEZA HEXAGONAL | |
| 114 | 560203 31100 | REFRIGERADOR | |
| 117 | 512201 31100 | CONDUCTO DE PRESIÓN | |
| 122 | 948511 00000 | ARANDELA DE MUELLE | |
| 123 | 945256 00000 | TORNILLO DE CABEZA HEXAGONAL | |
| 124 | 770301 31100 | SILENCIADOR | |
| 125 | 763906 00000 | COMPENSADOR | |
| 126 | 948080 00000 | ANILLO DE JUNTA | |
| 129 | 948512 00000 | ARANDELA DE MUELLE | |
| 130 | 947106 00000 | TUERCA HEXAGONAL | |
| 132 | 945148 00000 | TORNILLO DE CABEZA HEXAGONAL | |
| 134 | 947109 00000 | TUERCA HEXAGONAL | |
| 135 | 948082 00000 | ANILLO DE JUNTA | |
| 136 | 011400 31100 | PIEZA DISTANCIADORA | |
| 137 | 740000 31100 | FILTRO DE AIRE | |
| 138 | 512215 31100 | CONDUCTO | |
| 144 | 011407 31100 | ANILLO DISTANCIADOR | |
| 145 | 737504 31100 | VÁLVULA ANTIRRETORNO | |
| 149 | 512202 31100 | CONDUCTO | |
| 152 | 512214 31100 | CONDUCTO | |
| 157 | 945161 00000 | TORNILLO DE CABEZA HEXAGONAL | |
| 158 | 960200 31100 | TUBO DE SILENCIADOR | |
| 164 | 769302 42090 | CONVERTIDOR DE MEDICIÓN DE PRESIÓN | |
| 165 | 953320 11000 | BRIDA ROSCADA | |
| 171 | 301300 03000 | ARCO | |
| 173 | 767402 05000 | MAGNETIC VALVE | |
| 174 | 948081 00000 | ANILLO DE JUNTA | |
| 201 | 923400 31100 | BOMBA DE ACEITE | |
| 202 | 972305 00000 | ATORNILLADURA | |
| 203 | 972312 00000 | ATORNILLADURA | |
| 204 | 936309 00000 | ATORNILLADURA | |
| 206 | 744301 20000 | LLAVE DE BOLA | |
| 208 | 972400 00000 | CABEZAL DE EMPAQUETADURA 90° | |
| 209 | 972400 00000 | CABEZAL DE EMPAQUETADURA 45° | |
| 301 | 951707 00000 | ARANDELA ELÁSTICA | |
| 302 | 945331 00000 | TORNILLO HEXAGONAL INTERIOR | |



VADS 1500

| Pos. | No. De pedido | Descripción | |
|------|---------------|--|--|
| 303 | 972400 00000 | CABEZAL DE EMPAQUETADURA | |
| 304 | 972306 00000 | ATORNILLADURA | |
| 305 | 945377 00000 | TORNILLO HEXAGONAL INTERIOR | |
| 306 | 951703 00000 | ARANDELA ELÁSTICA | |
| 307 | 909700 31100 | FILTRO DE ACEITE | |
| 308 | 972311 00000 | ATORNILLADURA | |
| 309 | 016601 31100 | PIEZA DE EMPALME | |
| 310 | 537505 31100 | VÁLVULA, COMPLETO | |
| 311 | 972200 00000 | PRESÓSTATO | |
| 312 | 972300 00000 | ATORNILLADURA | |
| 313 | 972302 00000 | ATORNILLADURA | |
| 314 | 972403 00000 | CABEZAL DE EMPAQUETADURA | |
| 315 | 737417 00000 | MANÓMETRO | |
| 316 | 972310 00000 | ATORNILLADURA | |
| 317 | 943401 20000 | VIGILANTE DE TEMPERATURA | |
| 319 | 972309 00000 | ATORNILLADURA | |
| 321 | 972402 00000 | CABEZAL DE EMPAQUETADURA | |
| 322 | 936308 00000 | ATORNILLADURA MANÓMETRO | |
| 323 | 972323 00000 | ATORNILLADURA | |
| 325 | 972307 00000 | ATORNILLADURA | |
| 401 | 972701 31100 | RECIPIENTE DE ACEITE | |
| 402 | 972305 00000 | ATORNILLADURA | |
| 404 | 741103 99682 | GENERADOR DE NIVEL | |
| 405 | 907308 00000 | CRISTAL MIRILLA DE ACEITE | |
| 407 | 305200 06000 | ÁNGULO | |
| 408 | 303400 19000 | TUBO DE DOBLE BOQUILLA | |
| 409 | 305300 01000 | ÁNGULO | |
| 410 | 954601 00000 | TORNILLO DE VENTILACIÓN | |
| 412 | 972402 00000 | CABEZAL DE EMPAQUETADURA | |
| 501 | 767103 31100 | SOMBRETERE ACÚSTICO | |
| 502 | 067100 31100 | PUERTA | |
| 512 | 741333 00000 | AMORTIGUADOR DE GOMA | |
| 513 | 722400 29100 | REJILLA DE PROTECCIÓN | |
| 516 | 002300 29100 | VENTILADOR | |
| 601 | | CONDUCTO DE PRESIÓN DE ACEITE | |
| 602 | | CONDUCTO DE PRESIÓN DE ACEITE | |
| 603 | | CONDUCTO DE PRESIÓN DE ACEITE | |
| 604 | | CONDUCTO DE PRESIÓN DE ACEITE | |
| 605 | | CONDUCTO DE PRESIÓN DE ACEITE | |
| 607 | 765302 05000 | FILTRO DE ACEITE (1x) ¹⁾ | |
| 637 | 709580 00000 | CARTUCHO DE FILTRO (1x) ¹⁾ | |



ACEITE 960012 00000 BECKER LUBE G70 (5L)

¹⁾ cantidad necesario / mantenimiento

VADS 1500 Compresor

VADS 1500 Bomba de reserva (Bomba combinada)

Para posiciones que derivan del aparato standard véase apéndice (lado trasero del plano)

| optional en option optionale opcional | Variante(n) Modifications Variantes | Pos ²⁾ | Bestell Nr. / Ident No. / No. Identification / No. Identificazione / No. De pedido | | Beschreibung / Description / Designation / Designazione / Desripcion |
|--|---|--|--|--|--|
| | | | + | - | |
| VADS 1500 Verdichter Compressor Compresseur Compressore Compresor - 50 Hz - 60 Hz Typ B Reservepumpe Stand-by-pump Pompe de reserve Pompa di riserva Bomba de reserva - 50 Hz - 60 Hz Typ C | Verdichter - 50 Hz - 60 Hz | 117 118 144 145 147 157 158 162 167 168 169 170 171 172 173 185 | 512213 31100 737502 31100 951232 00000 302000 06000 767403 50000 302300 16000 739901 09000 | 542204-34400 011407-34400 737504-34400 945164-00000 960200-34400 301300-03000 301900-02000 767402-05000 | LEITUNG / PIPE / TUYAU / CONDOTTO / CONDUCTO LEITUNG / PIPE / TUYAU / CONDOTTO / CONDUCTO DISTANZRING / DISTANCE WASHER / PLAQUE D'ESPACEMENT / DISCO A DISTANZA / ANILLO DISTANCIADOR RÜCKSCHLAGVENTIL / NON-RETURN-VALVE / SOUPAPE ANTI-RETOUR / VALVOLA NON RITORNO / VÁLVULA ANTIRRETORNO RÜCKSCHLAGVENTIL / NON-RETURN-VALVE / SOUPAPE ANTI-RETOUR / VALVOLA NON RITORNO / VÁLVULA ANTIRRETORNO SECHSKANTSCHRAUBE / HEX-HEAD SCREW / VIS HEXAGONALE / VITE ESAGONALE / TORNILLO DE CABEZA HEXAGONAL ROHRSCHALE / SILENCER TUBE / TUBE SILENCIEUX / TUBO SILENZIATORE / TUBO DE SILENCIADOR VERSCHLUSSSCHRAUBE / LOCKING SCREW / BOUCHON / VITE DI CHIUSURA / TORNILLO DE CIERRE DOPPELNIPPEL / HEXAGON NIPPLE / MAMELON / NIPPLO DOPPIO / DOBLE BOQUILLA MAGNETVENTIL / MAGNETIC VALVE / SOUPAPE MAGNETIQUE / VALVOLA MAGNETICA / MAGNETIC VALVE REDUZIER-MUFFE / REDUCING SOCKETS / MANCHONS REDUITS / MANICOTTO DI RIDUZIONE / MANGUITO DE REDUCCIÓN SCHALLDAEMPFER / SILENCER / SILENCIEUX / SILENZIATORE / SILENCIADOR BOGEN / BEND / COURBE / CURVA / ARCO REDUZIER-MUFFE / REDUCING SOCKETS / MANCHONS REDUITS / MANICOTTO DI RIDUZIONE / MANGUITO DE REDUCCIÓN MAGNETVENTIL / MAGNETIC VALVE / SOUPAPE MAGNETIQUE / VALVOLA MAGNETICA / MAGNETIC VALVE BOGEN / BEND / COURBE / CURVA / ARCO |
| | Reservepumpe - 50 Hz - 60 Hz | 117 118 147 157 158 167 168 169 170 185 | 512213 31100 737502 31100 302000 06000 767403 50000 302300 16000 739901 09000 301300 05000 | 542204-34400 011407-34400 737504-34400 945164-00000 960200-34400 | LEITUNG / PIPE / TUYAU / CONDOTTO / CONDUCTO LEITUNG / PIPE / TUYAU / CONDOTTO / CONDUCTO RÜCKSCHLAGVENTIL / NON-RETURN-VALVE / SOUPAPE ANTI-RETOUR / VALVOLA NON RITORNO / VÁLVULA ANTIRRETORNO SECHSKANTSCHRAUBE / HEX-HEAD SCREW / VIS HEXAGONALE / VITE ESAGONALE / TORNILLO DE CABEZA HEXAGONAL ROHRSCHALE / SILENCER TUBE / TUBE SILENCIEUX / TUBO SILENZIATORE / TUBO DE SILENCIADOR DOPPELNIPPEL / HEXAGON NIPPLE / MAMELON / NIPPLO DOPPIO / DOBLE BOQUILLA MAGNETVENTIL / MAGNETIC VALVE / SOUPAPE MAGNETIQUE / VALVOLA MAGNETICA / MAGNETIC VALVE REDUZIER-MUFFE / REDUCING SOCKETS / MANCHONS REDUITS / MANICOTTO DI RIDUZIONE / MANGUITO DE REDUCCIÓN SCHALLDAEMPFER / SILENCER / SILENCIEUX / SILENZIATORE / SILENCIADOR BOGEN / BEND / COURBE / CURVA / ARCO |

²⁾ variantenabhängige Bauteile / variant-dependent components / composants variante-dependantes / componenti variante-dispendenti / componentes variante-dependientes

standard