

DATA SHEET

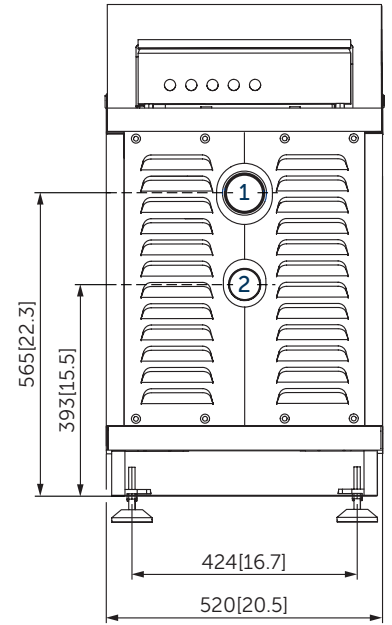
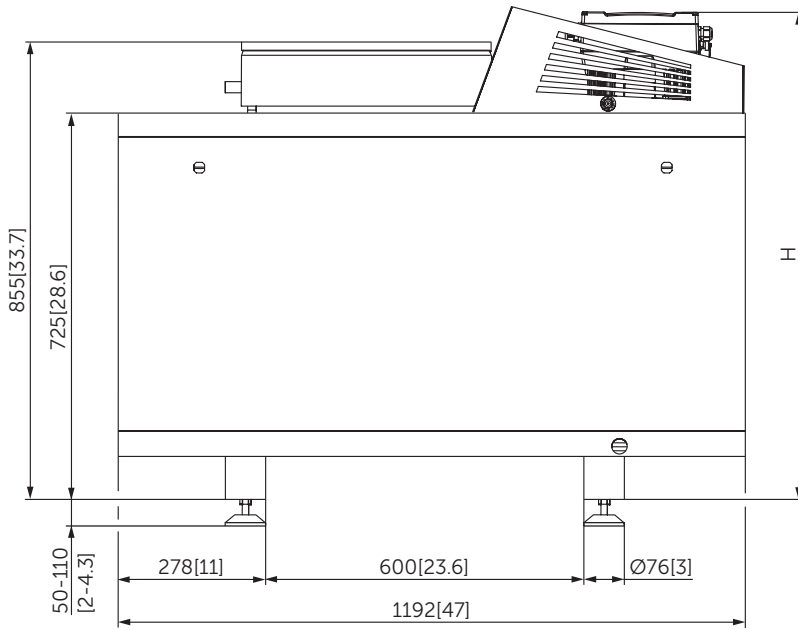
VADS 250

SCREW VACUUM PUMPS

dry and contact free compression, air-cooled
direct drive and VARIAIR frequency inverter

MAKE IT BECKER.





- 1 Vacuum connection (G2½)
- 2 Exhaust air connection (G2)
- Dimensions in mm [inch]

	Suction air rate ¹⁾	Vacuum absolute	Emission sound pressure level ¹⁾	Weight	Oil ³⁾	Protection class	H
	m ³ /h maximum	mbar maximum	dB(A)	kg	l		mm [inch]

VADS 250 standard	240/290	≤0.1	68	280	8	IP 20	923 [36.4]
VADS 250/2 seal gas							

VADS 250/4 200/208 V	240/290	≤0.1	72	291	8	IP 20	968 [38.1]
----------------------	---------	------	----	-----	---	-------	------------

	Speed	Frequency				
	min ⁻¹	Hz	kW	V	Hz	IP

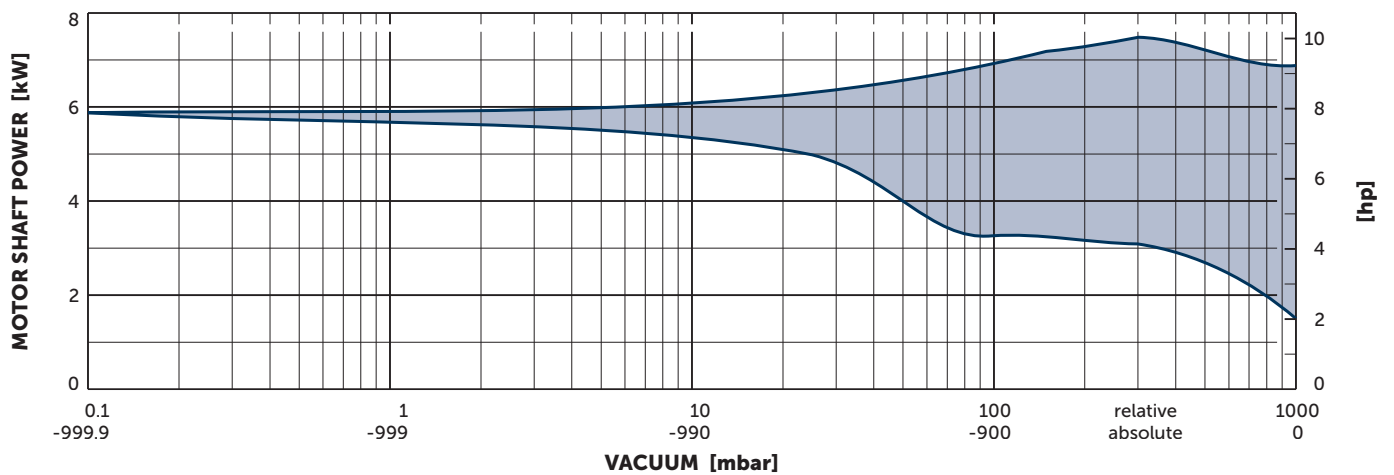
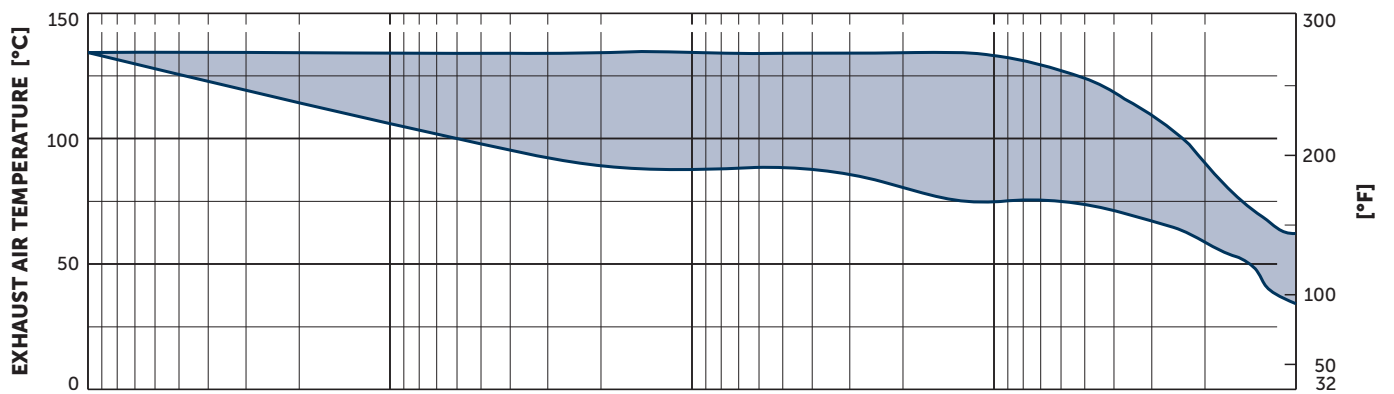
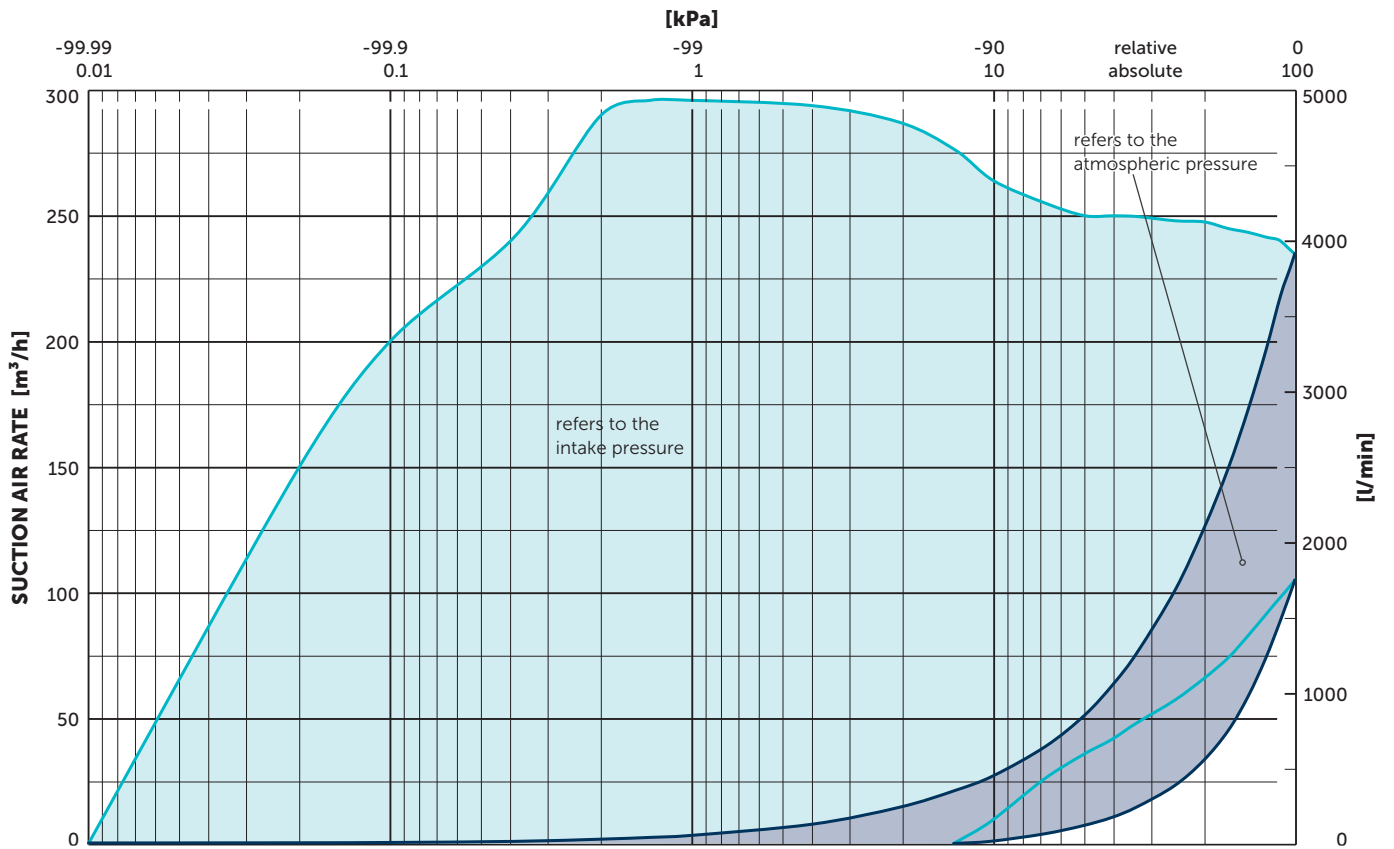
VADS 250 standard	5000–10000	170–340	7.5	400/480 ±10%	50/60	55
VADS 250/2 seal gas						
VADS 250/4 200/208 V	5000–10000	170–340	7.5	200/208 +6% -10%	50/60	55

¹⁾ Refers to atmospheric / intake pressure

²⁾ DIN EN ISO 3744 (KpA = 3 dB(A)) interval of 1 m [39.4 inch], at medium load, both connection sides piped

³⁾ Becker Lube G 70 mineral

▪ Rotation speed may vary. Tolerance -1.5/+2%



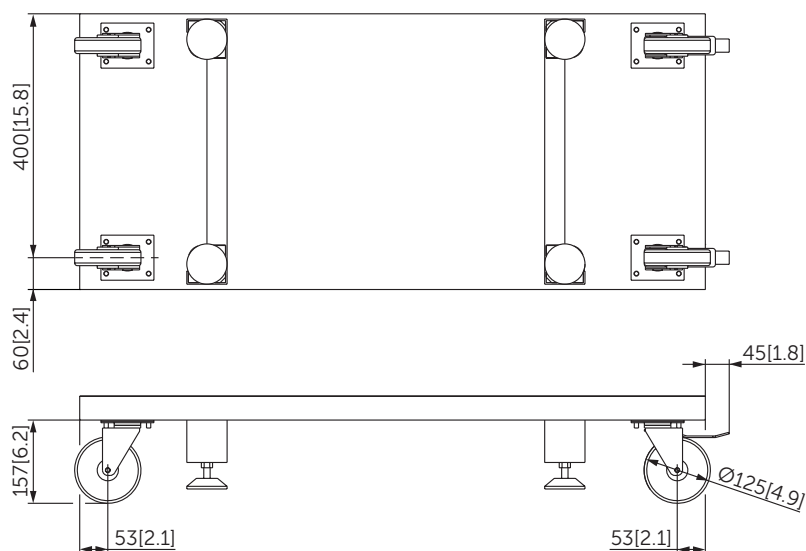
Reference data (atmosphere): 1000 mbar (100 kPa), 20°C (68°F)
 Tolerance: ±5%

+ VARIANTS AND ACCESSORIES

CONFIGURATION

Operating mode	Actual value	Set point
Speed set mode		internal
Speed set mode		external 0–10 V
Speed set mode		external 4–20 mA
Vacuum constant control (PID control) including sensor for actual value	0–10 V	internal
Vacuum constant control (PID control) including sensor for actual value	0–10 V	external 0–10 V
Vacuum constant control (PID control) including sensor for actual value	0–10 V	external 4–20 mA
Vacuum constant control (PID control) including sensor for actual value	4–20 mA	internal
Vacuum constant control (PID control) including sensor for actual value	4–20 mA	external 0–10 V
Vacuum constant control (PID control) including sensor for actual value	4–20 mA	external 4–20 mA

HEAVY DUTY ROLLERS



OTHER ACCESSORIES

- Flange adapter ISO-K, 2 1/2"–3"
- Manual control unit for inverter¹⁾
- Pressure-reducing device and/or gas ballast option (only for VADS 250/2 seal gas)
- Non-return valve ST 630¹⁾
- 2/2-way solenoid valve¹⁾ (230 V AC or 24 V DC)
- Ball valve
- External silencer S 1.200¹⁾ or S 6.400¹⁾
- Oil Becker Lube G 70 mineral

¹⁾ See separate data sheet

- Combination options on request
- Dimensions in mm [inch]



MAKE IT BECKER.